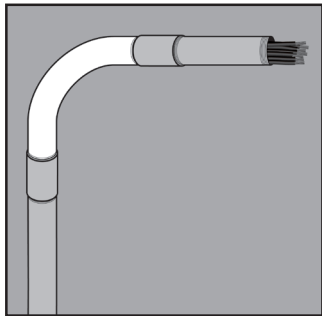
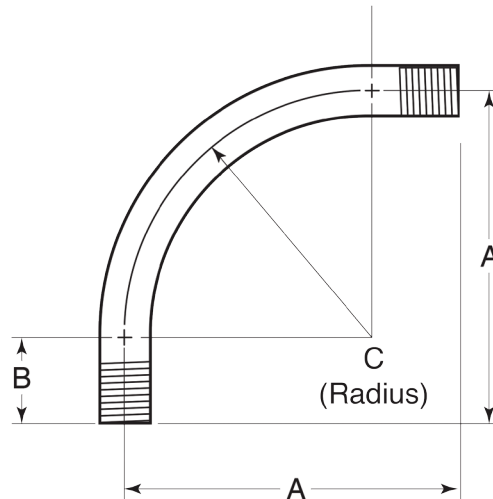


STAINLESS STEEL 90° STANDARD RADIUS ELBOWS



APPLICATION

- Bent sections of rigid conduit that help in changing the direction of conduit
- Standard radius, 90°
- Threaded on both ends, NPT
- Offered in Type 316 SS and Type 304 SS
- Supplied with two thread protectors
- Manufactured in stainless steel to help prevent corrosion
- Can be installed using ordinary hand tools and require little maintenance or repair
- Provided in a bright, polished finish that does not require touch up or painting



PRODUCT DETAILS

Material:

316 SS and 304 SS

Standards:

ASTM A312

Country of Origin:

Manufactured in USA

UL File Number:

DYWV.E300683
(Standard 6A)

Canada UL File Number:

DYWV7.E300683
(Standard 6A)

| Part Number | Size | Weight/ Each (lbs.) | Offset "A" (in.) | Straight End "B" (in.) | Centerline Radius "C" (in.) |
|-------------|---------|---------------------|------------------|------------------------|-----------------------------|
| ELB50 | ½ in. | 1 | 6.50 | 2.50 | 4.00 |
| ELB75 | ¾ in. | 1 | 7.25 | 2.75 | 4.50 |
| ELB100 | 1 in. | 2 | 8.63 | 2.88 | 5.75 |
| ELB125 | 1-¼ in. | 3 | 10.88 | 3.38 | 7.50 |
| ELB150 | 1-½ in. | 4 | 11.63 | 3.38 | 8.25 |
| ELB200 | 2 in. | 6 | 14.00 | 4.50 | 9.50 |
| ELB250 | 2-½ in. | 13 | 16.25 | 5.75 | 10.50 |
| ELB300 | 3 in. | 19 | 19.25 | 6.25 | 13.00 |
| ELB400 | 4 in. | 31 | 23.50 | 7.50 | 16.00 |

Type 316 SS part numbers listed above; Type 304 SS products are denoted by adding "-304SS."
For example: ELB75-304SS

