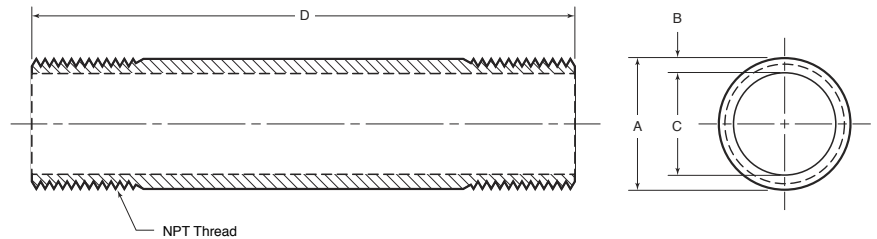
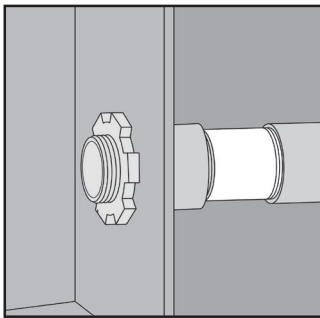


STAINLESS STEEL CONDUIT NIPPLES



APPLICATION

- Used to extend conduit systems
- Can be connected to boxes, enclosures, other lengths of conduit, etc.
- Threaded on both ends, NPT
- Offered in Type 316 SS and Type 304 SS
- Custom lengths can be made available upon request
- Manufactured in stainless steel to help prevent corrosion
- Can be installed using ordinary hand tools and require little maintenance or repair
- Provided in a bright, polished finish that does not require touch up or painting



PRODUCT DETAILS

Material:
316 SS and 304 SS

Standards:
ASTM A312

Country of Origin:
100% Made in USA

*2" x close nipples are 2" long.

Format of full part number is part number x length. For example: NIP75x2.

Type 304 SS products are denoted by adding "-304SS." For example: NIP75x2-304SS.

Part Number	Size	Outside Diameter "A"	Wall Thickness "B"	Inside Diameter "C"	Close	Length "D"										
						1.13	2"	2½"	3"	3½"	4"	5"	6"	8"	10"	12"
NIP50	½ in.	0.84	0.11	0.62	1.13	2"	2½"	3"	3½"	4"	5"	6"	8"	10"	12"	
NIP75	¾ in.	1.05	0.11	0.82	1.38	2"	2½"	3"	3½"	4"	5"	6"	8"	10"	12"	
NIP100	1 in.	1.32	0.13	1.05	1.50	2"	2½"	3"	3½"	4"	5"	6"	8"	10"	12"	
NIP125	1-¼ in.	1.66	0.14	1.38	1.63	2"	2½"	3"	3½"	4"	5"	6"	8"	10"	12"	
NIP150	1-½ in.	1.90	0.15	1.61	1.75	2"	2½"	3"	3½"	4"	5"	6"	8"	10"	12"	
NIP200	2 in.	2.38	0.15	2.07	2.00	*	2½"	3"	3½"	4"	5"	6"	8"	10"	12"	
NIP250	2-½ in.	2.88	0.20	2.47	2.50			3"	3-½"	4"	5"	6"	8"	10"	12"	
NIP300	3 in.	3.50	0.22	3.07	2.63			3"	3-½"	4"	5"	6"	8"			
NIP400	4 in.	4.50	0.24	4.03	2.88				3-½"	4"	5"	6"	8"			

