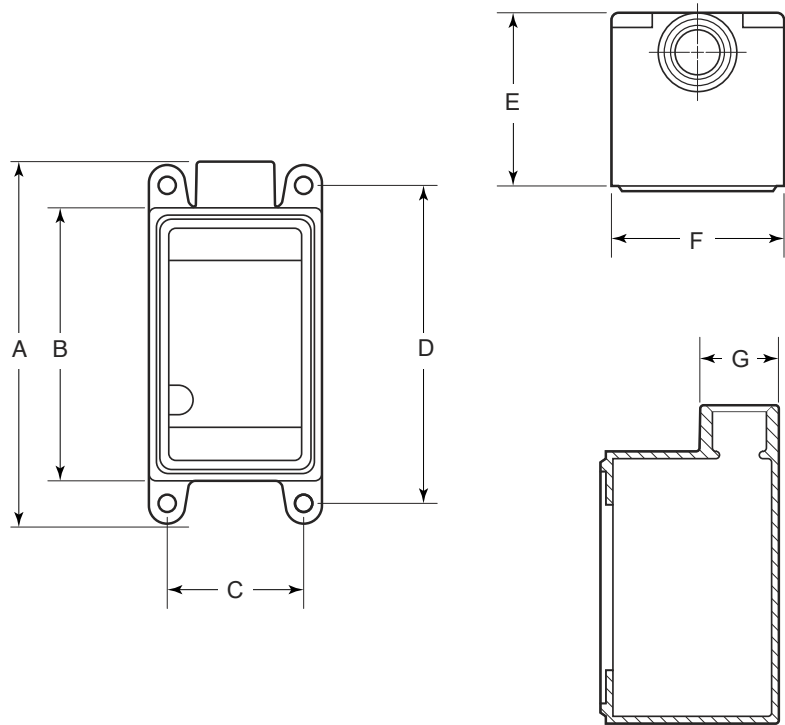
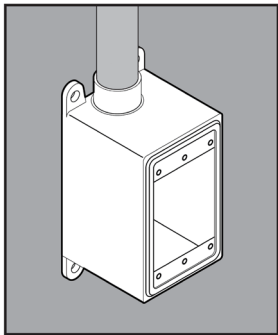


# STAINLESS STEEL FD DEVICE BOXES



## APPLICATION

- Used to wire devices such as switches and receptacles, act as pull boxes, and/or connect conduit
- Offered in "deep" style, in eight configurations: Single-Gang FD, FDC, FDA, FDS, FDY, FDCT and Double-Gang FDDC, FDDX.
- Manufactured in stainless steel to help prevent corrosion
- Can be installed using ordinary hand tools and require little maintenance or repair
- Provided in a bright, polished finish that does not require touch up or painting



## PRODUCT DETAILS

### Material:

- Body: CF8M (316 SS)
- Grounding Screw: 316 SS

### Country of Origin:

100% Made in USA

### UL File Number:

QCIT.E300676  
(Standard 514A)

### Canada UL File Number:

DWTT7.E300676  
(Standard 514A)

Part Number	Size	Weight/ Each (lbs.)	Dimension (in.)						
			A	B	C	D	E	F	G
FD75	¾ in.	3	6.36	4.67	2.34	5.38	2.94	2.96	1.34

