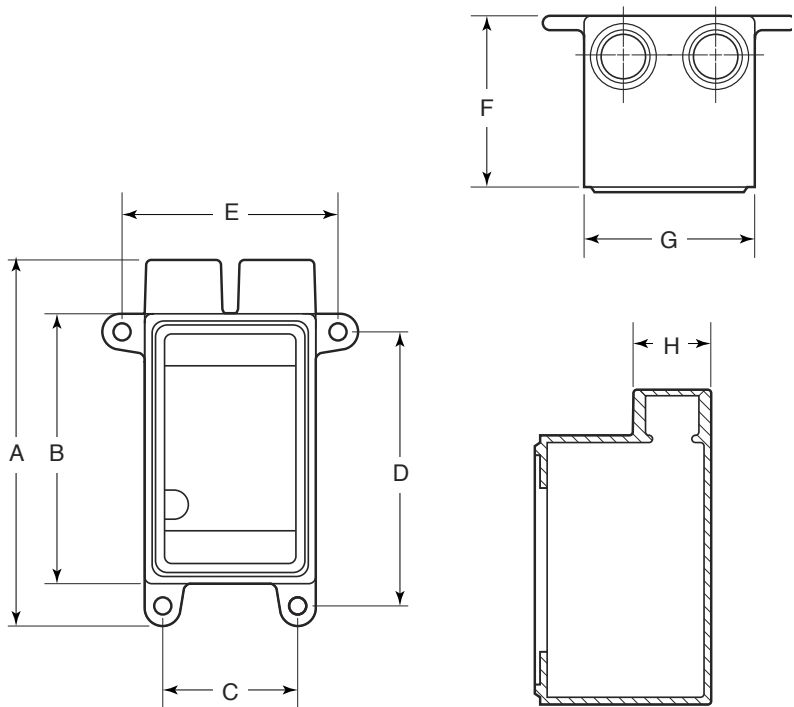
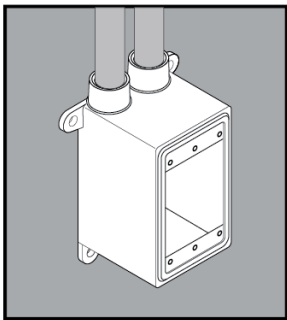


STAINLESS STEEL FDS DEVICE BOXES



APPLICATION

- Used to wire devices such as switches and receptacles, act as pull boxes, and/or connect conduit
- Offered in "deep" style, in eight configurations: Single-Gang FD, FDC, FDA, FDS, FDY, FDCT and Double-Gang FDDC, FDDX.
- Manufactured in stainless steel to help prevent corrosion
- Can be installed using ordinary hand tools and require little maintenance or repair
- Provided in a bright, polished finish that does not require touch up or painting



PRODUCT DETAILS

Material:

- Body: CF8M (316 SS)
- Grounding Screw: 316 SS

Country of Origin:

100% Made in USA

UL File Number:

QCIT.E300676
(Standard 514A)

Canada UL File Number:

DWTT7.E300676
(Standard 514A)

| Part Number | Size | Weight/ Each (lbs.) | Dimension (in.) | | | | | | | |
|-------------|-------|---------------------|-----------------|------|------|------|------|------|------|------|
| | | | A | B | C | D | E | F | G | H |
| FDS75 | ¾ in. | 4 | 6.33 | 4.67 | 2.34 | 4.71 | 3.67 | 2.94 | 2.96 | 1.34 |

