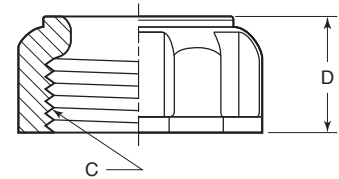
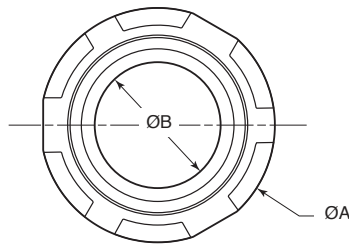
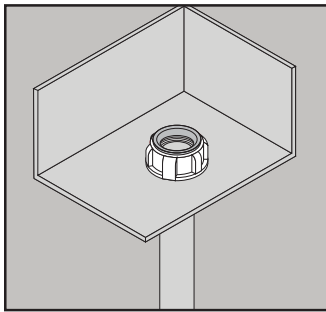


# STAINLESS STEEL INSULATED BUSHINGS



## APPLICATION

- Designed for use with threaded conduit to terminate runs
- Insulating plastic ring provides smooth surface for wire pulls
- Manufactured in stainless steel to help prevent corrosion
- Can be installed using ordinary hand tools and require little maintenance or repair
- Provided in a bright, polished finish that does not require touch up or painting



## PRODUCT DETAILS

### Material:

- Bushing: CF8M (316 SS)
- Insulating Ring: Polyetherimide (PEI) Thermoplastic

### Country of Origin:

100% Made in USA

Part Number	Size	Weight/ 100 (lbs.)	Dimension (in.)			
			A	B	C	D
B50	½ in.	10	1.32	0.58	½ - 14 NPSM	0.71
B75	¾ in.	13	1.58	0.75	¾ - 14 NPSM	0.73
B100	1 in.	18	1.83	0.95	1 - 11-½ NPSM	0.83
B125	1-¼ in.	15	2.09	1.28	1-¼ - 11-½ NPSM	0.83
B150	1-½ in.	18	2.34	1.50	1-½ - 11-½ NPSM	0.83
B200	2 in.	25	2.84	1.90	2 - 11-½ NPSM	0.83

