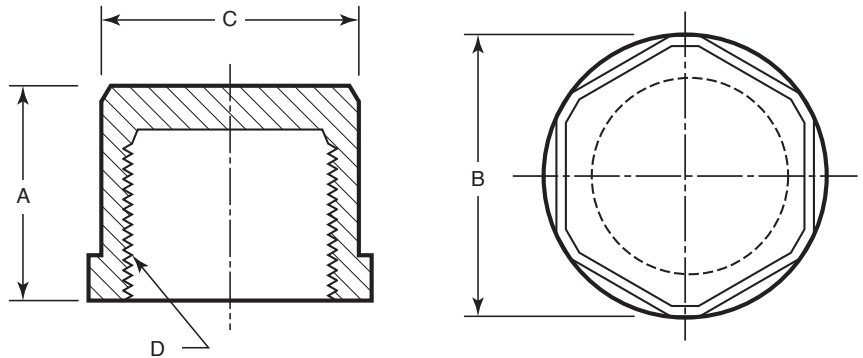
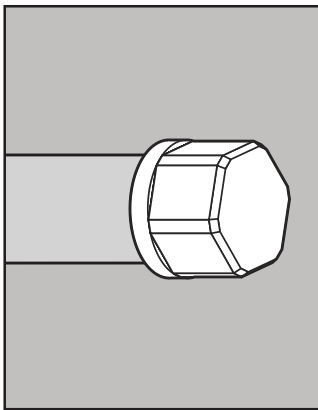


STAINLESS STEEL CONDUIT CAPS



APPLICATION

- Designed for use with rigid conduit
- Used to cap off/end runs of conduit
- Allow for future system expansion or rerouting of conduit
- Hexagonal flats allow for easy tightening with standard hand tools
- Manufactured in stainless steel to help prevent corrosion
- Can be installed using ordinary hand tools and require little maintenance or repair
- Provided in a bright, polished finish that does not require touch up or painting



PRODUCT DETAILS

Material:
316 SS

Standards:
ASTM A479

Country of Origin:
Sizes ½" - 3" 100% Made in USA;
4" Size Manufactured in USA

Part Number	Size	Weight/ 100 (lbs.)	Dimension (in.)			
			A	B	C	D
CAP50	½ in.	14	1.00	1.12	1.03	½ - 14 NPT
CAP75	¾ in.	22	1.06	1.37	1.25	¾ - 14 NPT
CAP100	1 in.	33	1.25	1.62	1.50	1 - 11-½ NPT
CAP125	1-¼ in.	45	1.25	1.99	1.88	1-¼ - 11-½ NPT
CAP150	1-½ in.	53	1.25	2.24	2.09	1-½ - 11-½ NPT
CAP200	2 in.	96	1.31	2.87	2.63	2 - 11-½ NPT
CAP250	2-½ in.	164	1.88	3.37	3.13	2-½ - 8 NPT
CAP300	3 in.	231	2.00	3.99	3.75	3 - 8 NPT
CAP400	4 in.	445	2.13	5.24	4.88	4 - 8 NPT

