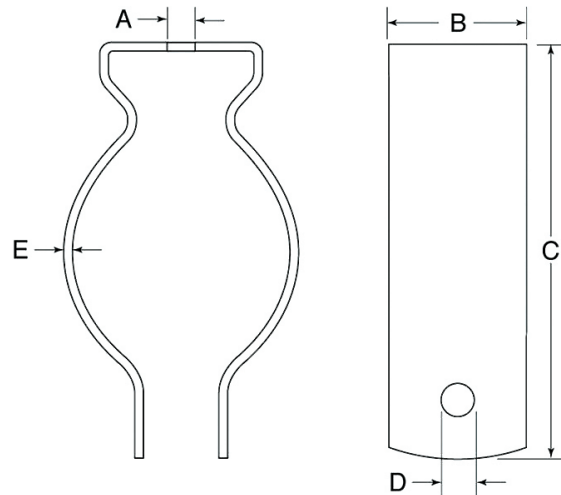
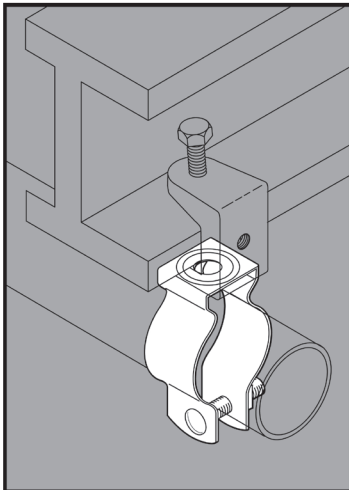


STAINLESS STEEL CONDUIT HANGERS



APPLICATION

- Designed to be used in conjunction with threaded rod, beam clamps, etc. to suspend rigid (heavywall) conduit from I-beams, flanges, etc.
- Supplied complete with Type 316 SS bolt and Type 316 SS nut
 - Sizes ½" – 2" supplied with slotted machine screw and nut
 - 2-½", 3" and 4" supplied with carriage bolt and nut
- Manufactured in stainless steel to help prevent corrosion
- Can be installed using ordinary hand tools and require little maintenance or repair
- Provided in a bright, polished finish that does not require touch up or painting



PRODUCT DETAILS

Material:

- Hanger: 316 SS
- Bolt, Hex Nut: 316 SS

Standards:

ASTM A240, ASTM F593

Country of Origin: Product may contain imported component.

Body 100% Made in USA; bolt and hex nut may or may not be of U.S. origin.

Part Number	Size	Weight/ 100 (lbs.)	Dimension (in.)				
			A	B	C	D	E
6050	½ in.	7	0.25	0.75	1.90	0.28	0.05
6075	¾ in.	8	0.25	0.88	1.97	0.28	0.05
6100	1 in.	9	0.25	0.88	2.32	0.28	0.05
6125	1-¼ in.	11	0.25	0.88	2.75	0.28	0.05
6150	1-½ in.	17	0.31	1.00	3.26	0.28	0.06
6200	2 in.	23	0.31	1.25	3.76	0.28	0.06
6250	2-½ in.	33	0.38	1.13	4.71	0.38	0.08
6300	3 in.	38	0.38	1.20	5.41	0.38	0.08
6400	4 in.	48	0.38	1.25	6.32	0.38	0.08

