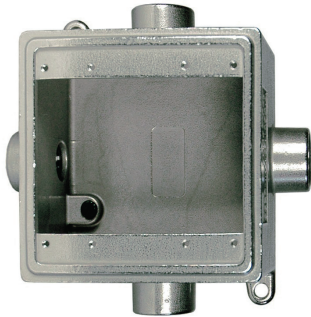
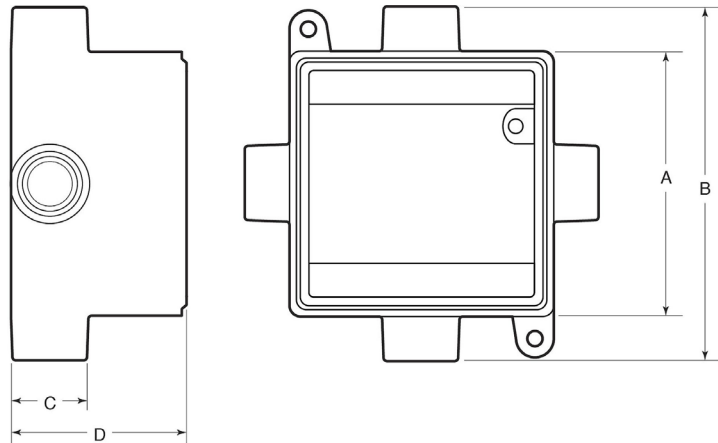
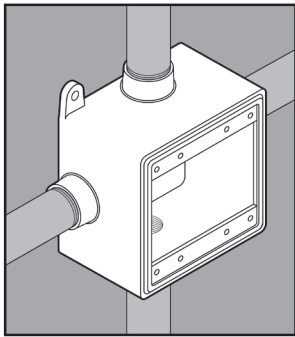


STAINLESS STEEL **DOUBLE-GANG FDDX DEVICE BOX**



APPLICATION

- Used to wire devices such as switches and receptacles, act as pull boxes, and/or connect conduit
- Offered in "deep" style
- Manufactured in stainless steel to help prevent corrosion
- Can be installed using ordinary hand tools and require little maintenance or repair
- Provided in a bright, polished finish that does not require touch up or painting



PRODUCT DETAILS

Material:

- Body: CF8M (316 SS)
- Grounding Screw: 316 SS

Country of Origin: 100%
Made in USA

UL File Number:

QCIT.E300676
(Standard 514A)

Part Number	Size	Weight/ Each (lbs.)	Dimension (in.)			
			A	B	C	D
FDDX75	¾ in.	5	4.65	6.21	1.34	2.94

