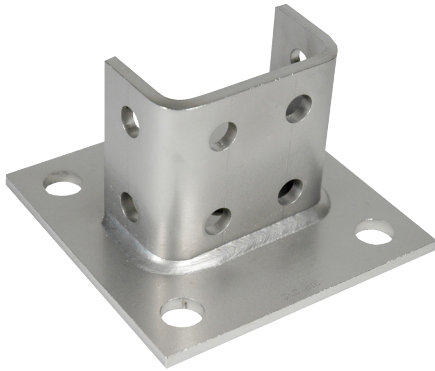
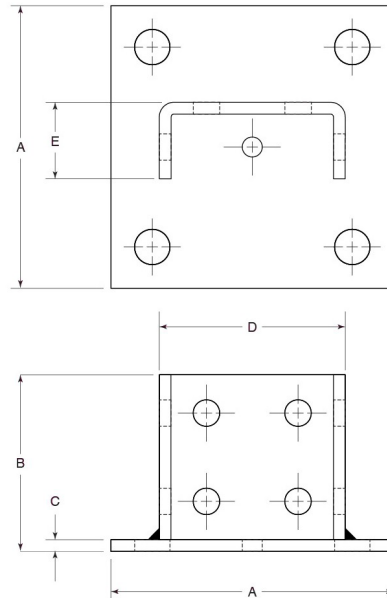
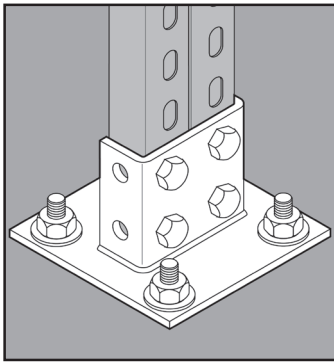


# STAINLESS STEEL **DOUBLE POST BASE**



## **APPLICATION**

- Designed to be floor mounted to support upright installations of strut
- Intended for use with 1-5/8" x 1-5/8" strut
- Post Bases offered in five configurations:  
Standard, 45° Offset, Wall Mount, Double, Standard Narrow
- Manufactured in stainless steel to help prevent corrosion
- Can be installed using ordinary hand tools and require little maintenance or repair
- Provided in a bright, polished finish that does not require touch up or painting



## **PRODUCT DETAILS**

**Material:**  
316 SS

**Standards:**  
ASTM A240

**Country of Origin:**  
100% Made in USA

Part Number	Weight/ Each (lbs.)	Dimension (in.)				
		A	B	C	D	E
5990PB4	5	6.00	3.75	0.25	3.84	1.98



© 2018 GIBSON STAINLESS & SPECIALTY, INC. - REV 3/2018

PO BOX 847, GREENSBURG, PA 15601  
PHONE: 1-800-945-4316 • FAX: 724-838-1544

WEB: GIBSONSTAINLESS.COM