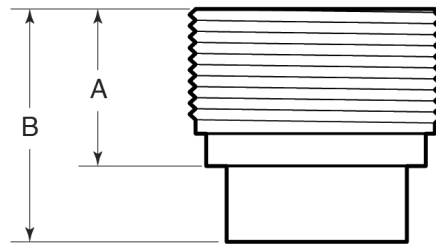
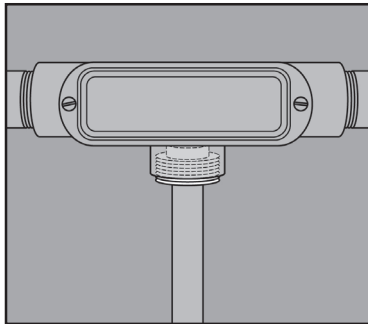


STAINLESS STEEL FACE REDUCING BUSHINGS



APPLICATION

- Provide a means of connecting a smaller size of conduit to a larger conduit fitting port without hex head component
- Provide aesthetically seamless connection
- Threaded male to female
- Manufactured in stainless steel to help prevent corrosion
- Can be installed using ordinary hand tools and require little maintenance or repair
- Provided in a bright, polished finish that does not require touch up or painting



PRODUCT DETAILS

Material:

316 SS

Standards:

ASTM A479

Country of Origin:

100% Made in USA

Part Number	Size	Weight/ 100 (lbs.)	----Dimension (in.) ----	
			A	B
7500FB-3/4 x 1/2	3/4 x 1/2 in.	7	0.69	1.00
7500FB-1 x 1/2	1 x 1/2 in.	20	0.75	1.13
7500FB-1 x 3/4	1 x 3/4 in.	12	0.75	1.13
7500FB-1-1/4 x 1/2	1-1/4 x 1/2 in.	42	0.88	1.13
7500FB-1-1/4 x 3/4	1-1/4 x 3/4 in.	34	0.88	1.13
7500FB-1-1/4 x 1	1-1/4 x 1 in.	20	0.88	1.13
7500FB-1-1/2 x 1/2	1-1/2 x 1/2 in.	59	0.88	1.13
7500FB-1-1/2 x 3/4	1-1/2 x 3/4 in.	50	0.88	1.13
7500FB-1-1/2 x 1	1-1/2 x 1 in.	37	0.88	1.13
7500FB-1-1/2 x 1-1/4	1-1/2 x 1-1/4 in.	15	0.88	1.13
7500FB-2 x 1/2	2 x 1/2 in.	103	0.88	1.13
7500FB-2 x 3/4	2 x 3/4 in.	95	0.88	1.13
7500FB-2 x 1	2 x 1 in.	82	0.88	1.13
7500FB-2 x 1-1/4	2 x 1-1/4 in.	59	0.88	1.13
7500FB-2 x 1-1/2	2 x 1-1/2 in.	40	0.88	1.13

