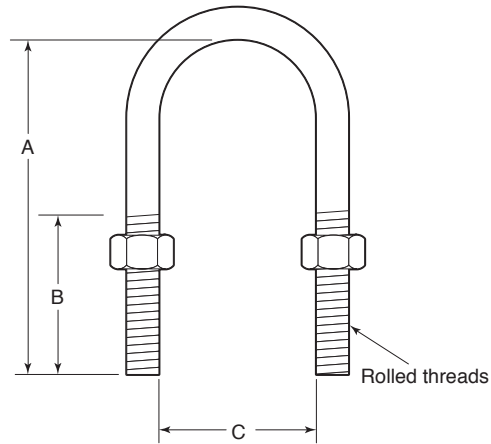
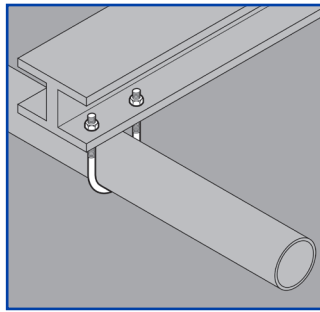


STAINLESS STEEL U-BOLTS (FIGURE 137 STYLE)



APPLICATION

- Used to run and support conduit or pipe in electrical systems
- Offered in two styles for both rigid conduit and mechanical applications (Figure 137 Style U-Bolts)
- Supplied complete with one Type 316 SS hex nut on each leg
- Manufactured in stainless steel to help prevent corrosion
- Can be installed using ordinary hand tools and require little maintenance or repair
- Provided in a bright, polished finish that does not require touch up or painting



PRODUCT DETAILS

Material:

- U-Bolt: 316 SS
- Hex Nuts: 316 SS

Standards:

ASTM A193 B8M Class I, ASTM F593

Country of Origin: Product may contain imported component.

U-bolt manufactured in USA; hex nuts and raw material for u-bolt may or may not be of U.S. origin.

Part Number	Conduit Size	Load Rating (lbs.)	Weight/ 100 (lbs.)	-----Dimension (in.)-----			Size & Pitch
				A	B	C	
0050-137	½ in.	485	9	3.24	2.17	0.94	¼ - 20 UNC
0075-137	¾ in.	485	10	3.34	2.13	1.13	¼ - 20 UNC
0100-137	1 in.	485	10	3.47	2.10	1.38	¼ - 20 UNC
0125-137	1-¼ in.	1220	26	3.77	2.16	1.69	⅜ - 16 UNC
0150-137	1-½ in.	1220	28	4.05	2.56	2.00	⅜ - 16 UNC
0200-137	2 in.	1220	30	4.47	2.53	2.44	⅜ - 16 UNC
0250-137	2-½ in.	2260	66	5.30	3.12	2.94	½ - 13 UNC
0300-137	3 in.	2260	72	5.80	3.02	3.56	½ - 13 UNC
0350-137	3-½ in.	2260	77	6.33	3.02	4.06	½ - 13 UNC
0400-137	4 in.	2260	83	6.85	3.07	4.56	½ - 13 UNC

