

GIBSON STAINLESS
& SPECIALTY INC

PRODUCT CATALOG

STAINLESS STEEL CONDUIT AND FITTINGS

ALL STAINLESS STEEL • ALL IN STOCK



“When Gibson Stainless was founded in 1995, Type 316 SS electrical fittings were very hard to find. Zinc plated, galvanized, carbon steel, etc. were the norm in the industry, as they were lower in price. Reinstallation of zinc plated, galvanized, and carbon steels, however, became very expensive and the demand began to increase for products that would withstand corrosive elements and harsh conditions, enabling the conduit system to last longer.

Gibson Stainless started with a product line that consisted of just products used as support fittings. The company had nine total products, which included only two product categories. As the demand grew, a few strut accessories and other various support accessories were added. As time passed, the conduit itself, conduit bodies, device boxes, hubs, etc. were added to offer a conduit system entirely in Type 316 SS.

Our approach at Gibson may be a little different than most. Quality is our number one priority throughout all of the processing steps, and is one thing we are never willing to sacrifice. Every product we offer is polished to achieve a bright finish. Each individual part is inspected at various stages of production and assembly and then again during packaging. All items are packaged and labeled individually. All of our conduit is shipped securely in wooden, custom-built crates.

Just as important to the quality of the product we offer, is the quality of the customer service we provide. We strive to give our customers fast and accurate responses. While all Gibson Stainless items are stock items, we do occasionally have less in stock than required by the customer. When this happens, we give our customers realistic and reliable lead times. We hope that doing business with Gibson Stainless is enjoyable and that we are perceived as offering a true quality package made up of both the product and our service.”

*- Joseph G. Gibson
President and Founder*

Introduction

Often referred to as the “premier” stainless steel provider, Gibson Stainless & Specialty, Inc. was the pioneer of providing stainless steel conduit and fittings for the electrical and other industries, beginning its operations in 1995.

All of our products are designed to meet and exceed standard electrical industry practices. Many of our product lines carry UL approval and NEMA ratings, and most are 100% Made in the USA. Maintaining a very large inventory, we are able to ship over 90% of our orders complete within 24 hours to ensure you receive the right parts quickly.

Gibson Stainless constantly works to expand its product line and strives to be the leader in developing new stainless steel products as required by the industry. We welcome requests for new products and will do the best we can to work with you.

Please refer to our website www.gibsonstainless.com for ongoing product line additions.

Why Stainless?



*Stainless Steel
(Gibson)*



Hot Dip Galvanized



Zinc Plated

Note: Results after 4-week salt spray test.

BUILT TO LAST:

In areas where corrosion is a concern, stainless steel is often the choice. Stainless steel has a much greater resistance to rust and corrosion than standard carbon steels and greater resistance than coated steels such as hot dip galvanized or zinc plated. The life of stainless steel in a corrosive environment can be 10 to 20 times, or more, longer than carbon steels or iron.

One of the reasons for enhanced corrosion resistance is the addition of certain elements. The term "stainless steel" is typically used to describe steel which has chromium added. Chromium contents give stainless a "self-healing" property. When the surface is scratched or nicked, a microscopic protective oxide film forms on the exposed areas to help protect against further penetration of corrosive elements.

The 300 series of stainless contains the two grades of stainless steel that are most often used in the electrical and mechanical industries: Type 316 SS and Type 304 SS.

The 300 series of stainless has the addition of nickel and, in the case of 316 SS, the addition of molybdenum. With the addition of molybdenum, Type 316 SS becomes more corrosion resistant. The addition of these elements is also the reason that stainless steel costs more.

Over the past few years, these elements have fluctuated in the following ranges:

Chromium \$.60 - \$2.00/lb.

Nickel \$7.50 - \$12.00/lb.

Molybdenum \$25.00 - \$38.00/lb.

It is easy to see how the addition of these elements drives up the initial cost.

Total cost of a product, however, must take into consideration the life of a product. While stainless steel products may cost more initially, the long life and the savings over reinstallation of inferior products may make stainless steel cost far less. Reinstallation costs become an even greater concern in hazardous or dangerous locations where accessibility is a problem.

EASY TO INSTALL:

Gibson Stainless offers threaded rigid conduit and fittings which eliminate extensive installation procedures. These conduit systems can be installed using ordinary hand tools and require very little maintenance or repair.

AESTHETICALLY PLEASING:

Aside from its corrosion resistance, stainless steel has an aesthetic appeal as well. Gibson Stainless products are provided in a bright, polished finish and do not require any maintenance such as touch up or painting. This bright, polished finish can remain intact for a long period of time.

Made in U.S.A. Policy

Gibson Stainless & Specialty, Inc. is an American company, 100% American owned. From the very beginning, Gibson Stainless has used castings from only American foundries. All of our original products, from beam clamps to right angle clamps to conduit bodies, have always been cast in the USA, and still are. Machining, finishing, assembly and packaging are done at Gibson Stainless by Gibson Stainless employees.

With the loss of manufacturing jobs in the United States, it has been very difficult at times to find American made component parts such as the small screws that hold the lid onto a conduit body; very difficult—but not impossible. Gibson Stainless is now making a concerted effort to produce 100% Made in USA parts; not just the casting, but also all component parts, such as nuts, screws and gaskets. We have made great strides and many of our products are now 100% Made in USA.



Our product catalog shows the “100% Made in USA” products by Gibson Stainless. It also shows the products which have some foreign component and those that are direct imports. We will continue our efforts to either manufacture or source from domestic manufacturers those component items which, in the past, have been foreign products.

Please refer to the following key or contact the factory for specific “country of origin” details:

“100% Made in USA” – Product is manufactured in the United States from American made material.

“Manufactured in USA” – Product is manufactured in the United States; however, raw material may or may not be of U.S. origin.

“May Contain Imported Component” – Product is manufactured in the United States but may contain a component that is an import. The product’s manufacturing costs in the United States are greater than 50% of the cost of all of its components.



Catalog Overview

At Gibson Stainless, we offer stainless steel rigid (heavywall) conduit and complementary stainless steel fittings. Most of our products are designed to be used with heavywall conduit, although some products will work on EMT or IMC as well. Gibson Stainless products are stocked in the higher grade of Type 316 SS and in some products Type 304 SS as well.

All orders must be placed through a distributor authorized by Gibson Stainless & Specialty, Inc.

Table of Contents

Introduction	02
Why Stainless	03
Made in USA Policy	04
Stainless Steel Conduit and Fittings	06-09
Stainless Steel Conduit Bodies	10-13
Stainless Steel Device Boxes	14-17
Stainless Steel Hazardous Location Fittings	18-21
Stainless Steel Hubs	22-23
Stainless Steel Locknuts	24-25
Stainless Steel Liquidtight Connectors	26-29
Stainless Steel Plugs & Reducing Bushings	30-31
Stainless Steel Straps & Hangers	32-33
Stainless Steel U-Bolts & Plates	34-37
Stainless Steel Conduit Clamps	38-39
Stainless Steel Beam Clamps	40-41
Stainless Steel Threaded Rod	42-43
Stainless Steel Strut and Accessories	44-53
Stainless Steel Grounding Rod	54-55
Stainless Steel Hardware	56-57

STAINLESS STEEL CONDUIT AND FITTINGS



Conduit



Conduit Nipple

CONDUIT: Stainless steel conduit provides a means of protection for wiring and cable in electrical systems. Gibson Stainless currently offers rigid (heavywall, Schedule 40) conduit in Type 316 SS and Type 304 SS. Conduit is threaded on both ends with NPT threads. Each 10' length of conduit is supplied with one coupling and a color-coded thread protector for the opposite end.

Gibson Stainless stocks conduit in 10' lengths; however, custom lengths can be made available upon request.

CONDUIT NIPPLE: Stainless steel conduit nipples are used to extend conduit systems and can be connected to boxes, enclosures, other lengths of conduit, etc. Nipples are threaded at both ends with NPT threads. Gibson Stainless offers conduit nipples in Type 316 SS and Type 304 SS.

NOTE: When ordering conduit, nipples, please designate 316 SS or 304 SS. Example: CND75 - 304 SS

PRODUCT DETAILS

Conduit

Material: 316 SS and 304 SS

Standards: ASTM A312

Compliances: UL Listed for Canada and US (Standard 6A)



Conduit Nipple

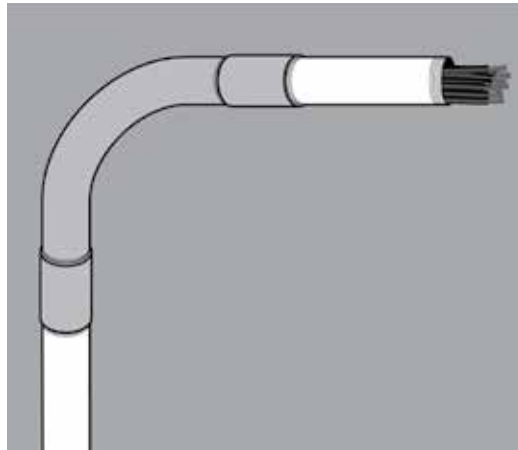
Material: 316 SS and 304 SS

Standards: ASTM A312



Conduit

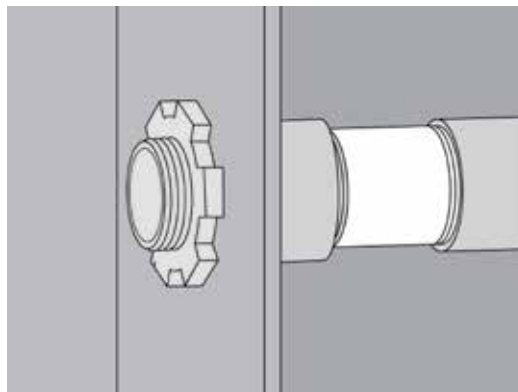
Part Number	Size	Threads	Inside Diameter	Outside Diameter	Wall Thickness	Length w/o Coupling	Weight/ Stick (lbs.)
CND50	½ in.	14	0.622	0.84	0.109	9-11-¼	8
CND75	¾ in.	14	0.824	1.05	0.113	9-11-¼	11
CND100	1 in.	11-½	1.049	1.315	0.133	9-11	16
CND125	1¼ in.	11-½	1.380	1.660	0.140	9-11	22
CND150	1½ in.	11-½	1.610	1.90	0.145	9-11	26
CND200	2 in.	11-½	2.067	2.375	0.154	9-11	35
CND250	2½ in.	8	2.489	2.875	0.193	9-10-½	55
CND300	3 in.	8	3.09	3.50	0.205	9-10-½	72
CND400	4 in.	8	4.05	4.50	0.225	9-10-¼	100



Conduit Nipple

Part Number	Size	Close	2"	2½"	3"	3½"	4"	5"	6"	8"	10"	12"
NIP50	½ in.											
NIP75	¾ in.											
NIP100	1 in.											
NIP125	1-¼ in.											
NIP150	1-½ in.		*									
NIP200	2 in.		*									

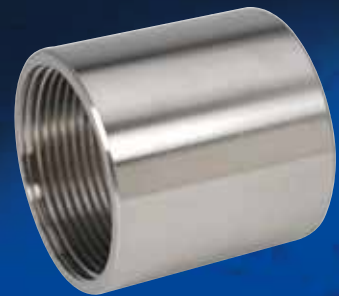
* 1½" x close and 2" x close nipples are 2" long.
 Custom lengths can also be provided.



STAINLESS STEEL CONDUIT AND FITTINGS



Conduit Elbow



Coupling



Three Piece Coupling

CONDUIT ELBOW: Stainless steel conduit elbows are bent sections of rigid conduit that help in changing the direction of conduit. Gibson Stainless offers standard radius, 90° elbows in Type 316 SS and Type 304 SS. Elbows are threaded on both ends with NPT threads and are supplied with two thread protectors.

COUPLING: Stainless steel conduit couplings provide a means of joining conduit, elbows, nipples, etc. Couplings are threaded straight through and are designed for use with NPT threaded conduit products. Gibson Stainless offers conduit couplings in Type 316 SS and Type 304 SS.

NOTE: When ordering elbows, couplings, please designate 316 SS or 304 SS. Example: ELB75-304 SS

THREE PIECE COUPLING: Three piece couplings are used to join and connect the threaded ends of rigid conduit where the conduit cannot be turned.

PRODUCT DETAILS

Conduit Elbow

Material: 316 SS and 304 SS

Standards: ASTM A312

Compliances: UL Listed for Canada and US (Standard 6A)



Coupling

Material: 316 SS and 304 SS

Standards: ASTM A312

Compliances: UL Listed for Canada and US (Standard 6A)



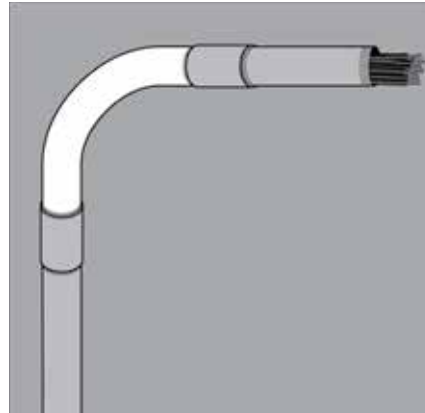
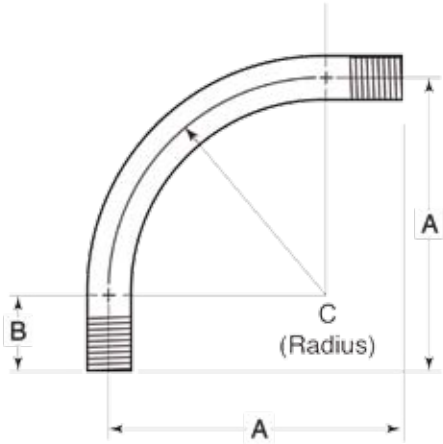
Three Piece Coupling

Material: 316 SS



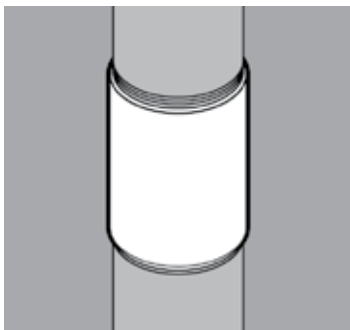
90° Standard Radius Elbow

Part Number	Size	Weight/ Each (lbs.)	Dimension (in.)		
			Offset "A"	Straight End "B"	Centerline Radius "C"
ELB50	½ in.	1	6.50	2.12	4.00
ELB75	¾ in.	1	7.25	2.75	4.50
ELB100	1 in.	2	8.63	2.88	5.75
ELB125	1-¼ in.	3	10.75	3.25	7.50
ELB150	1-½ in.	4	11.63	3.38	8.25
ELB200	2 in.	6	13.31	3.81	9.50
ELB250	2-½ in.	13	16.50	5.75	10.50
ELB300	3 in.	19	18.75	5.75	13.00
ELB400	4 in.	31	23.18	7.96	16.00



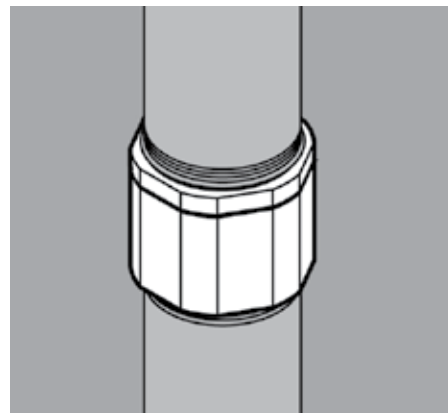
Coupling

Part Number	Size	Weight/ 100 (lbs.)	Length (in.)
CPL50	½ in.	15	1.625
CPL75	¾ in.	18	1.641
CPL100	1 in.	32	1.969
CPL125	1-¼ in.	41	2.032
CPL150	1-½ in.	58	2.063
CPL200	2 in.	77	2.125
CPL250	2-½ in.	179	3.188
CPL300	3 in.	245	3.313
CPL400	4 in.	309	3.516



Three Piece Coupling

Part Number	Size	Weight/ 100 (lbs.)
TPC75	¾ in.	34
TPC100	1 in.	32



STAINLESS STEEL **CONDUIT BODIES**



LB Conduit Body



T Conduit Body

Stainless steel conduit bodies are designed to make 90° bends, to change the route of conduit, and/or to make wiring pulls and connections. These Form 8 conduit bodies permit simple, easy, installation using ordinary hand tools. A flat back design provides extra wiring capacity.

Gibson Stainless currently offers conduit bodies in six configurations: C, LB, LL, LR, T, and TB. Each conduit body is supplied complete with a cover, gasket, and screws.

PRODUCT DETAILS

Material:

- Body: CF8M (316 SS)
- Cover, Screws: 316 SS
- Gasket: Neoprene

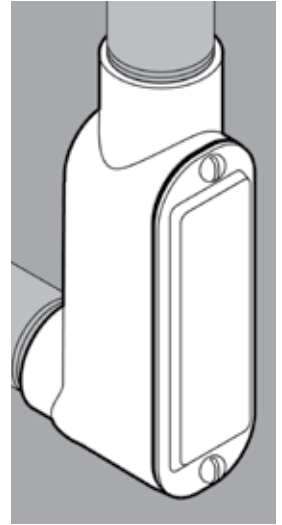
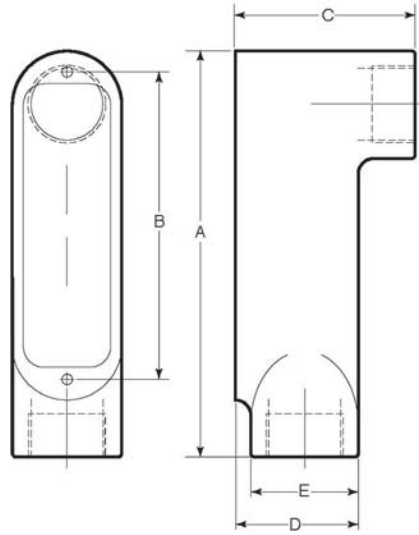
Standards: ASTM A351, ASTM A240, ASTM F593

Compliances: UL Listed for Canada and US (Standard 514A)



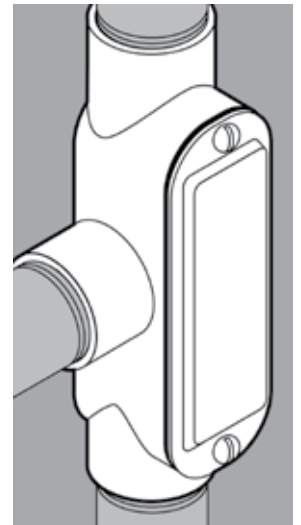
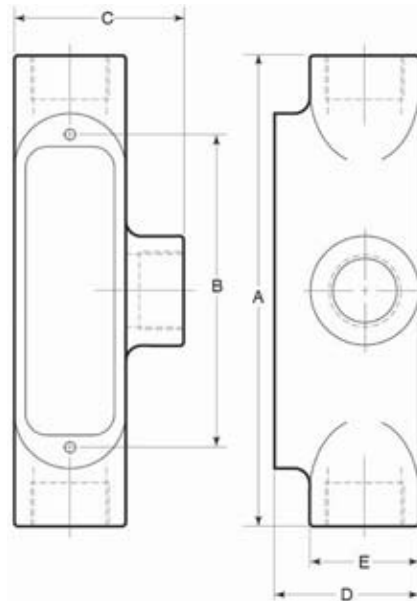
LB Conduit Body

Part Number	Conduit Size	Weight/ Each (lbs.)	Dimension (in.)				
			A	B	C	D	E
7050LB	½ in.	1	4.85	3.50	2.10	1.38	1.188
7075LB	¾ in.	2	5.72	4.31	2.5	1.63	1.50
7100LB	1 in.	3	6.4v8	5.00	2.825	2.00	1.75
7125LB	1-¼ in.	5	7.75	6.00	3.50	2.50	2.13
7150LB	1-½ in.	5	8.38	6.562	3.75	2.75	2.31
7200LB	2 in.	9	10.50	8.50	4.375	3.375	2.75
7300LB	3 in.	18	13.50	11.25	6.125	4.625	4.00
7400LB	4 in.	28	16.625	13.75	7.25	5.625	5.125



T Conduit Body

Part Number	Conduit Size	Weight/ Each (lbs.)	Dimension (in.)				
			A	B	C	D	E
7050T	½ in.	2	5.556	3.5	1.997	1.75	1.188
7075T	¾ in.	3	6.61	4.312	2.50	2.00	1.50
7100T	1 in.	4	7.525	5.00	2.70	2.31	1.75
7125T	1-¼ in.	5	8.75	6.00	3.25	2.50	2.13
7150T	1-½ in.	6	9.37	6.562	3.53	2.75	2.31
7200T	2 in.	9	11.50	8.50	4.125	3.375	2.75
7300T	3 in.	19	15.00	11.25	5.75	4.625	4.00
7400T	4 in.	29	18.25	13.75	7.125	5.437	5.125



STAINLESS STEEL CONDUIT BODIES



C Conduit Body



TB Conduit Body



LR Conduit Body



LL Conduit Body

Stainless steel conduit bodies are designed to make 90° bends, to change the route of conduit, and/or to make wiring pulls and connections. These Form 8 conduit bodies permit simple, easy, installation using ordinary hand tools. A flat back design provides extra wiring capacity.

Gibson Stainless currently offers conduit bodies in six configurations: C, LB, LL, LR, T, and TB. Each conduit body is supplied complete with a cover, gasket, and screws.

PRODUCT DETAILS

Material:

- Body: CF8M (316 SS)
- Cover, Screws: 316 SS
- Gasket: Neoprene

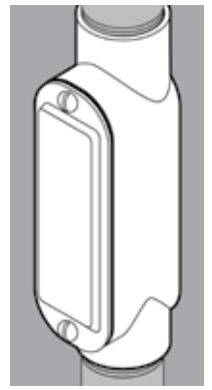
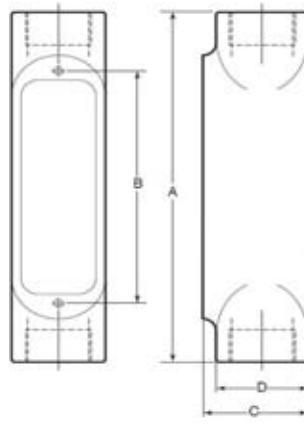
Standards: ASTM A351, ASTM A240, ASTM F593

Compliances: UL Listed for Canada and US (Standard 514A)



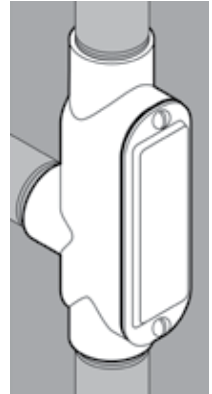
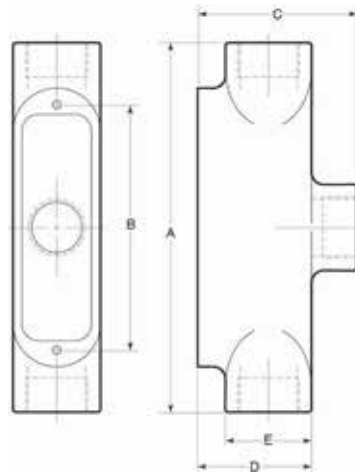
C Conduit Body

Part Number	Conduit Size	Weight/ Each (lbs.)	Dimension (in.)			
			A	B	C	D
7050C	½ in.	1	5.70	3.50	1.375	1.188
7075C	¾ in.	2	6.563	4.312	1.625	1.50
7100C	1 in.	3	7.50	5.00	2.00	1.75



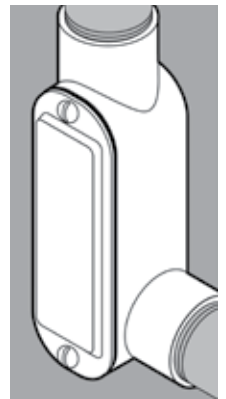
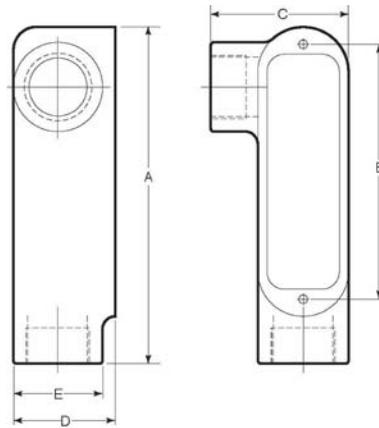
TB Conduit Body

Part Number	Conduit Size	Weight/ Each (lbs.)	Dimension (in.)				
			A	B	C	D	E
7075TB	¾ in.	3	6.61	4.312	2.875	2.00	1.50
7100TB	1 in.	3	7.53	5.00	3.232	2.313	1.75
7125TB	1-¼ in.	5	8.75	6.00	3.50	2.50	2.13
7150TB	1-½ in.	6	9.375	6.562	3.75	2.75	2.31
7200TB	2 in.	9	11.5	8.50	4.375	3.375	2.75



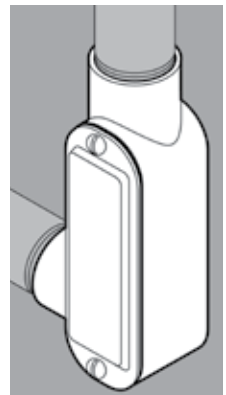
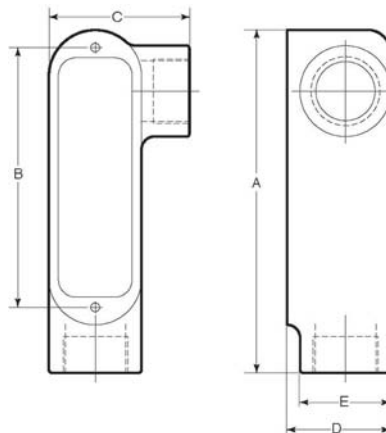
LR Conduit Body

Part Number	Conduit Size	Weight/ Each (lbs.)	Dimension (in.)				
			A	B	C	D	E
7075LR	¾ in.	2	5.718	4.312	2.425	1.625	1.50
7100LR	1 in.	3	6.59	5.00	2.69	2.00	1.75



LL Conduit Body

Part Number	Conduit Size	Weight/ Each (lbs.)	Dimension (in.)				
			A	B	C	D	E
7075LL	¾ in.	2	5.718	4.312	2.425	1.625	1.50
7100LL	1 in.	3	6.59	5.00	2.69	2.00	1.75



STAINLESS STEEL DEVICE BOXES



FD



FDC



FDA



FDS



FDX



FDDX

Device boxes are used to wire devices such as switches and receptacles, act as pull boxes, and connect conduit. Gibson Stainless currently offers the deep-style device boxes with $\frac{3}{4}$ " NPT threaded hubs.

Device boxes are offered in six styles:
FD, FDC, FDA, FDS, FDX, and double-gang FDDX.

Internal grounding screw standard on all styles. Star washer standard on all single-gang styles. Mounting feet standard on FD, FDC, and double-gang FDDX.

PRODUCT DETAILS

Material:

-Body: CF8M (316 SS)

-Grounding Screw, Star Washer: 316 SS

Standards: ASTM A351, ASTM F593

Compliances: UL Listed (except for FDDX) for Canada and US (Standard 514A)



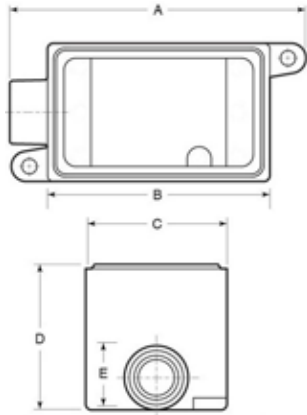
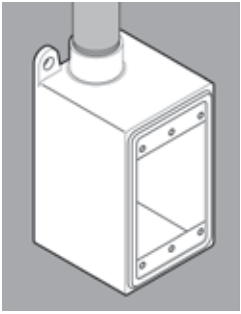
Single-gang product line may contain imported component (star washer).

*Double-gang FDDX:



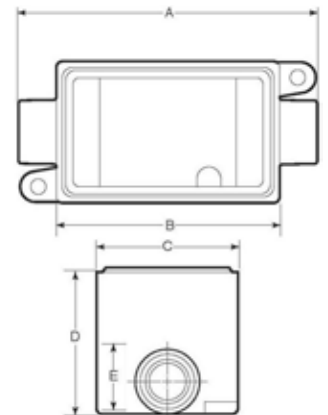
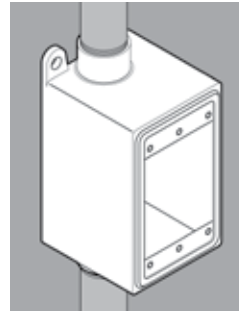
FD Device Box

Part Number	Conduit Size	Weight/ Each (lbs.)	Dimension (in.)				
			A	B	C	D	E
FD75	¾ in.	3	6.188	4.625	2.938	2.937	1.313



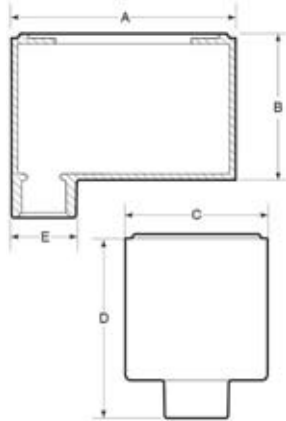
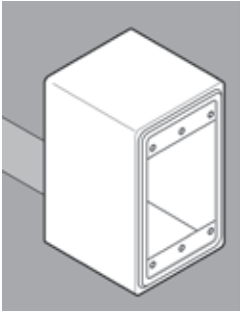
FDC Device Box

Part Number	Conduit Size	Weight/ Each (lbs.)	Dimension (in.)				
			A	B	C	D	E
FDC75	¾ in.	3	6.188	4.625	2.938	2.937	1.313



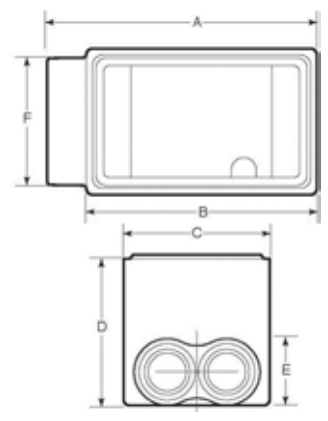
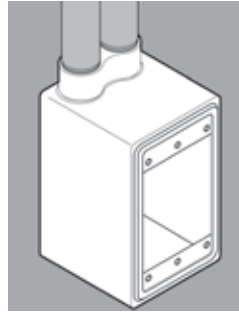
FDA Device Box

Part Number	Conduit Size	Weight/ Each (lbs.)	Dimension (in.)				
			A	B	C	D	E
FDA75	¾ in.	3	4.625	2.937	2.938	3.711	1.313



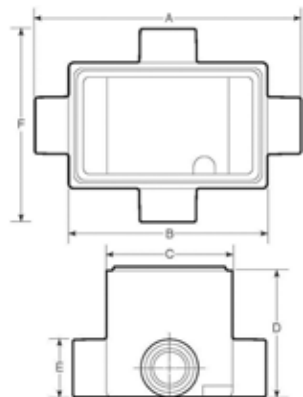
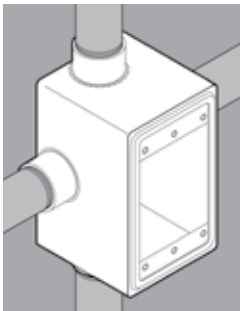
FDS Device Box

Part Number	Conduit Size	Weight/ Each (lbs.)	Dimension (in.)					
			A	B	C	D	E	F
FDS75	¾ in.	3	5.407	4.625	2.938	2.937	1.313	2.5



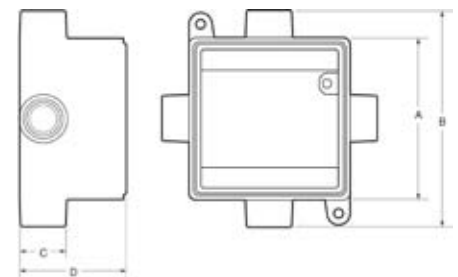
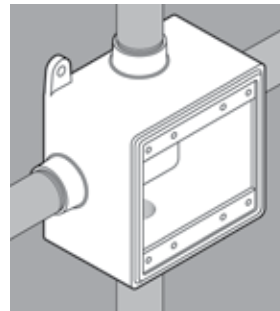
FDX Device Box

Part Number	Conduit Size	Weight/ Each (lbs.)	Dimension (in.)					
			A	B	C	D	E	F
FDX75	¾ in.	4	6.188	4.625	2.938	2.937	1.313	4.5



FDDX Device Box

Part Number	Conduit Size	Weight/ Each (lbs.)	Dimension (in.)			
			A	B	C	D
FDDX75	¾ in.	5	4.625	6.188	1.313	3.03



STAINLESS STEEL DEVICE BOXES



Blank Formed Cover*



Switch Cover**



Blank Cast Cover*



Receptacle Cover**

Device box covers are used to enclose device boxes. Gibson Stainless offers the covers in several styles including blank, receptacle and switch. Covers are supplied complete with gasket and 316 SS screws.

*NOTE: Wet locations when used with gasket.

**Note: Dry locations only.

Part Number	Description
7000-BF *	Blank Formed Cover
7000-BC *	Blank Cast Cover
7000-SF **	Switch Cover
7000-RF **	Receptacle Cover
7000-BF2 *	Double-Gang Blank Formed Cover
7000-BC2 *	Double-Gang Blank Cast Cover



**Double-Gang
Blank Formed Cover***



**Double-Gang
Blank Cast Cover***

PRODUCT DETAILS

Blank Formed Cover

- **Material:** 316 SS
- **Standards:** ASTM A240, ASTM F593

Blank Cast Cover

- **Material:** CF8M/316 SS
- **Standards:** ASTM A351, ASTM F593

Switch Cover

- **Material:** 316 SS
- **Standards:** ASTM A240, ASTM F593

Receptacle Cover

- **Material:** 316 SS
- **Standards:** ASTM A240, ASTM F593

Single-gang covers UL Listed for Canada and US (Standard 514A)
Product line may contain imported components (screws, gasket).



STAINLESS STEEL HAZARDOUS LOCATION FITTINGS



GUAC



GUAX



GUAT

The GUA series conduit bodies are installed in hazardous area locations to act as pulling and splice boxes, connect lengths of conduit, and provide access to conductors for maintenance.

The GUA series conduit bodies hold the following ratings:

- CL I, DIV 1, Groups C, D - CL II, DIV 1, Groups E, F, G - CL III, NEMA 4X Rated

Gibson Stainless offers these conduit bodies in five configurations: C, X, T, B and L. The GUA series conduit bodies are supplied with a cover that has cast-in brackets for use with breaker-bars for tightening/loosening and a neoprene o-ring.

PRODUCT DETAILS

Material:

- Body, Cover: CF8M (316 SS)
- O-ring: Neoprene

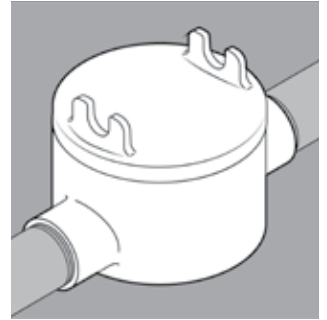
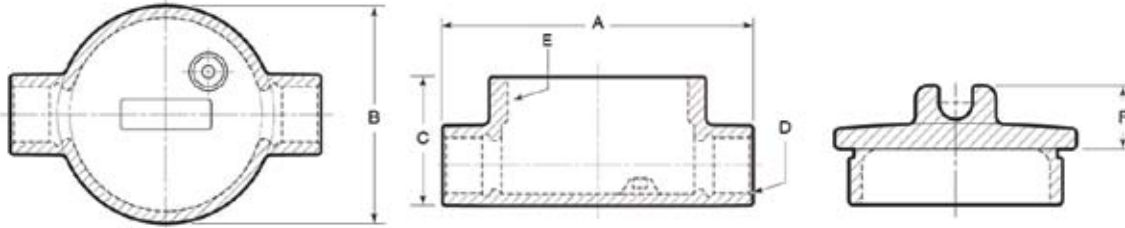
Standards: ASTM A351, ASTM F593

Compliances: UL Listed for Canada and US (Standards 1203, 50, 50E)



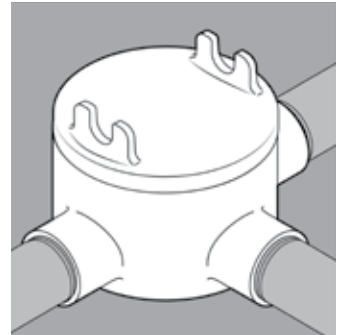
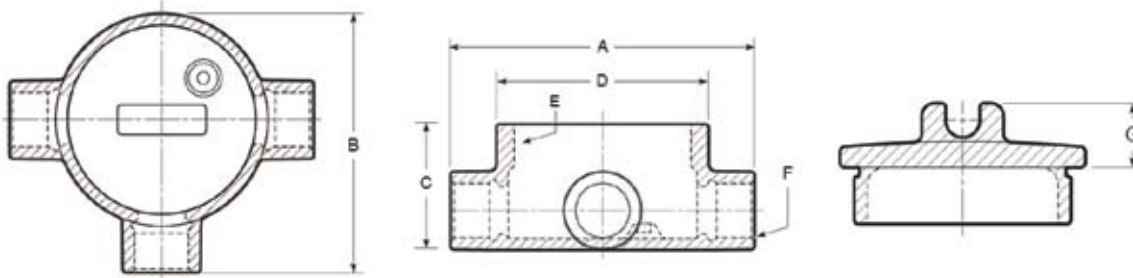
GUAC Conduit Body

Part Number	Conduit Size	Weight/ Each (lbs.)	Dimension (in.)					
			A	B	C	D	E	F
GUAC75	¾ in.	4	5.16	3.6	2.13	¾-14 NPT	3-½-12 UNC	0.94
GUAC100	1 in.	4	5.54	3.6	2.13	1-11-½ NPT	3-½-12 UNC	0.94



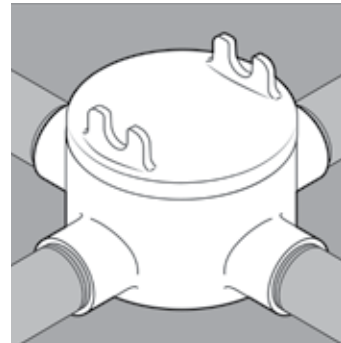
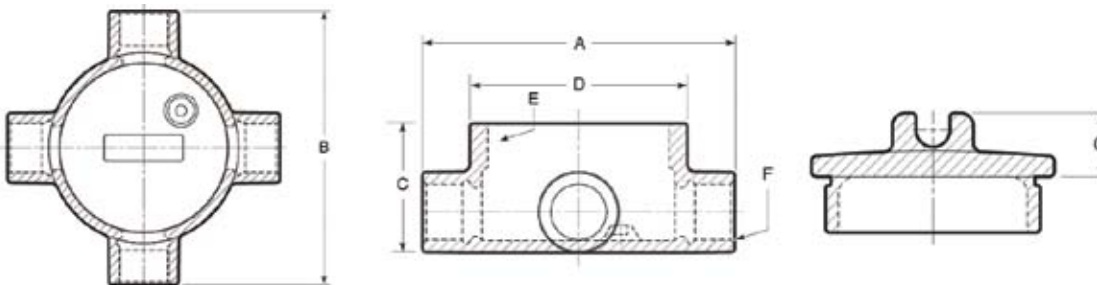
GUAT Conduit Body

Part Number	Conduit Size	Weight/ Each (lbs.)	Dimension (in.)						
			A	B	C	D	E	F	G
GUAT75	¾ in.	4	5.16	4.38	2.13	3.6	3-½-12 UNC	¾-14 NPT	0.94
GUAT100	1 in.	5	5.54	4.57	2.13	3.6	3-½-12 UNC	1-11-½ NPT	0.94



GUAX Conduit Body

Part Number	Conduit Size	Weight/ Each (lbs.)	Dimension (in.)						
			A	B	C	D	E	F	G
GUAX75	¾ in.	4	5.16	5.16	2.13	3.6	3-½-12 UNC	¾-14 NPT	0.94
GUAX100	1 in.	5	5.54	5.54	2.13	3.6	3-½-12 UNC	1-11-½ NPT	0.94



STAINLESS STEEL HAZARDOUS LOCATION FITTINGS



GUAB



EYS Sealing Fitting



GUAL

GUA SERIES CONDUIT BODIES: (Continued from previous page)

EYS SEALING FITTING: Used in hazardous area locations, sealing fittings help to seal off and prevent vapors, gases, etc. from passing from one section of a conduit system to another.

PRODUCT DETAILS

GUA Series Conduit Bodies
(Details found on page 18)

EYS Sealing Fitting

Material:

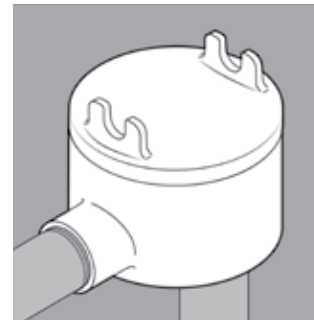
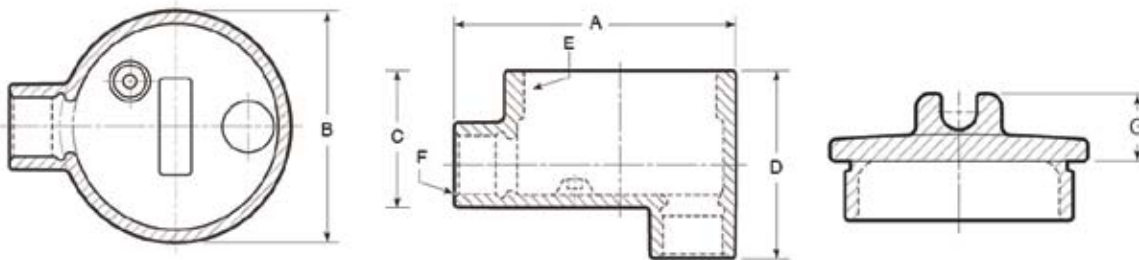
- Body: CF8M (316 SS)
- Plug: 316 SS

Standards: ASTM A351



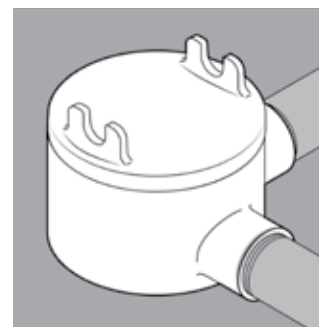
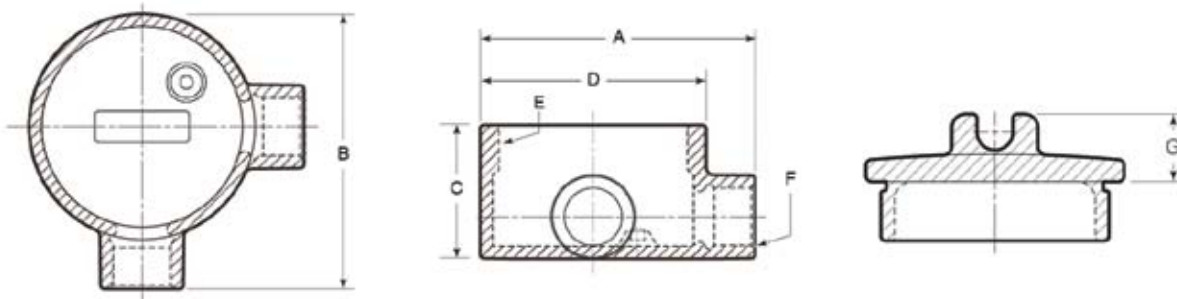
GUAB Conduit Body

Part Number	Conduit Size	Weight/ Each (lbs.)	Dimension (in.)						
			A	B	C	D	E	F	G
GUAB75	¾ in.	4	4.38	3.6	2.13	2.9	3-½-12 UNC	¾-14 NPT	0.94
GUAB100	1 in.	4	4.57	3.6	2.13	3.1	3-½-12 UNC	1-11-½ NPT	0.94



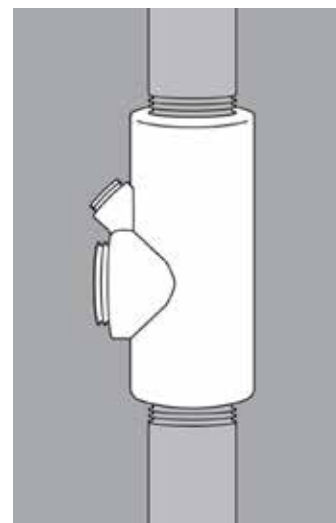
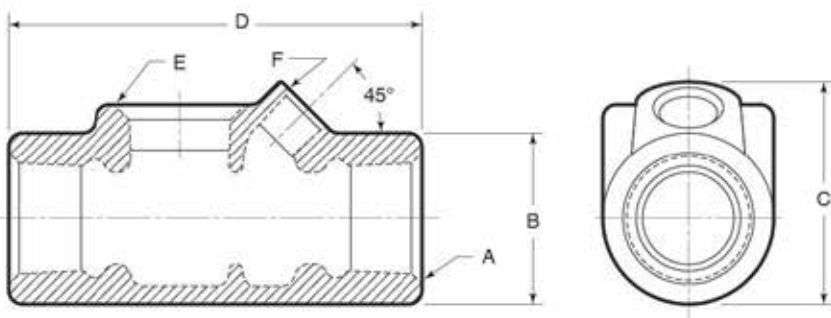
GUAL Conduit Body

Part Number	Conduit Size	Weight/ Each (lbs.)	Dimension (in.)						
			A	B	C	D	E	F	G
GUAL75	¾ in.	4	4.38	4.38	2.13	3.6	3-½-12 UNC	¾-14 NPT	0.94
GUAL100	1 in.	4	4.57	4.57	2.13	3.6	3-½-12 UNC	1-11-½ NPT	0.94



EYS Sealing Fitting

Part Number	Conduit Size	Weight/ Each (lbs.)	Dimension (in.)					
			A	B	C	D	E	F
EYS75	¾ in.	1	¾-14 NPT	1.5	1.95	3.63	¾-14 NPT	¼-18 NPT
EYS100	1 in.	2	1-11-½ NPT	1.75	2.2	4.25	1-11-½ NPT	¼-18 NPT



STAINLESS STEEL HUBS



Hub



Grounding Hub

HUB: Heavy-duty, cast CF8M/316 SS conduit hubs are designed for use with threaded conduit and provide a means of connecting conduit to various enclosures and/or for terminating electric circuits. A neoprene "O" ring provides a weather proof seal and a specially designed locknut grips firmly for secure installation.

GROUNDING HUB: Stainless steel grounding hubs, like the standard conduit hubs, are designed for use with threaded conduit and provide a means of connecting conduit to various enclosures and/or for terminating electric circuits. A grounding lug and screw provide a secure connection for ground wiring.

PRODUCT DETAILS

Hub

Material:

-Body: CF8M (316 SS)

-Locknut: 316 SS (½" – 1"); CF8M (1¼" – 4")

Standards:

ASTM A240 (locknut sizes ½" – 1");

ASTM A351 (body, locknut sizes 1¼" – 4")

Grounding Hub

Material:

-Body, Locknut: CF8M (316 SS)

-Grounding Screw: 316 SS

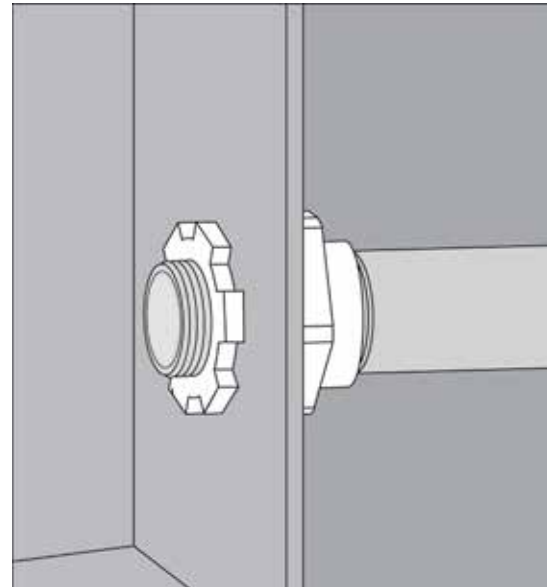
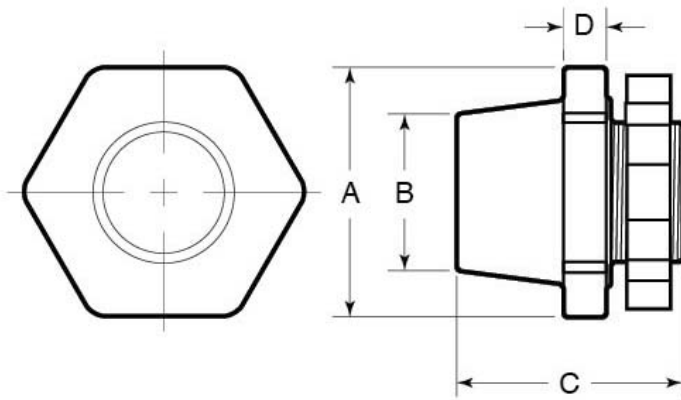
Standards:

ASTM A351, ASTM F593



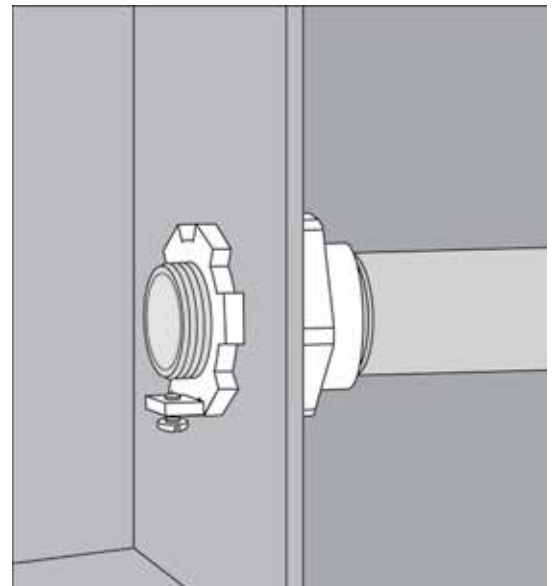
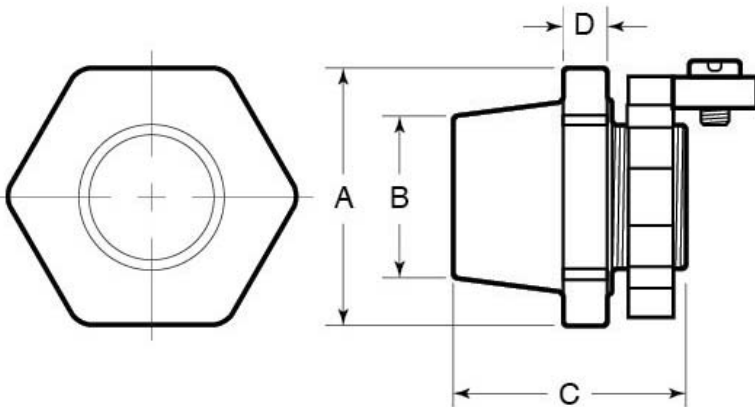
Hub

Part Number	Conduit Size	Weight/ 100 (lbs.)	Dimension (in.)			
			A	B	C	D
7050-HUB	½ in.	20	1.313	1.065	1.315	0.25
7075-HUB	¾ in.	31	1.625	1.27	1.5	0.32
7100-HUB	1 in.	45	1.863	1.6	1.687	0.313
7125-HUB	1-¼ in.	71	2.25	2.00	1.813	0.375
7150-HUB	1-½ in.	85	2.563	2.375	1.813	0.3753
7200-HUB	2 in.	112	3.063	2.78	1.85	0.375
7250-HUB	2-½ in.	190	3.6	3.2	2.4	0.42
7300-HUB	3 in.	331	4.5	4.125	2.75	0.5
7400-HUB	4 in.	453	5.375	5.2	3.00	0.56



Grounding Hub

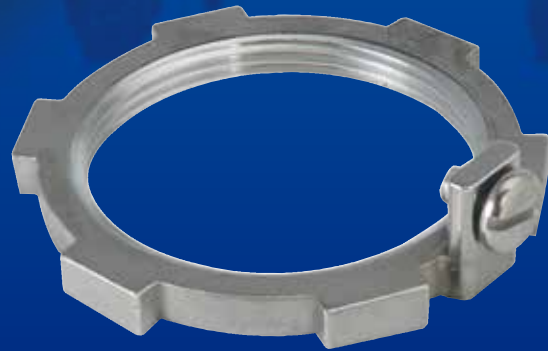
Part Number	Conduit Size	Weight/ 100 (lbs.)	Dimension (in.)			
			A	B	C	D
7050-G-HUB	½ in.	22	1.313	1.065	1.315	0.25
7075-G-HUB	¾ in.	34	1.625	1.27	1.5	0.32
7100-G-HUB	1 in.	49	1.863	1.6	1.687	0.313
7125-G-HUB	1-¼ in.	73	2.25	2.00	1.813	0.375
7150-G-HUB	1-½ in.	87	2.563	2.375	1.813	0.3753
7200-G-HUB	2 in.	114	3.063	2.78	1.85	0.375
7250-G-HUB	2-½ in.	192	3.6	3.2	2.4	0.42
7300-G-HUB	3 in.	334	4.5	4.125	2.75	0.5
7400-G-HUB	4 in.	459	5.375	5.2	3.00	0.56



STAINLESS STEEL LOCKNUTS



Locknut



Grounding Locknut

LOCKNUT: Stainless steel locknuts are used to connect and secure threaded rigid conduit to an enclosure or outlet box.

GROUNDING LOCKNUT: Similar to the standard locknuts, grounding locknuts also connect and secure threaded rigid conduit to boxes and enclosures. A grounding lug and screw provide a secure connection for ground wiring.

PRODUCT DETAILS

Locknut

Material:

- ½" – 1": 316 SS
- 1¼" – 4": CF8M (316 SS)

Standards:

- ASTM A240 (sizes ½" – 1");
- ASTM A351 (sizes 1¼" – 4")



Grounding Locknut

Material:

- Locknut: CF8M (316 SS)
- Grounding Screw: 316 SS

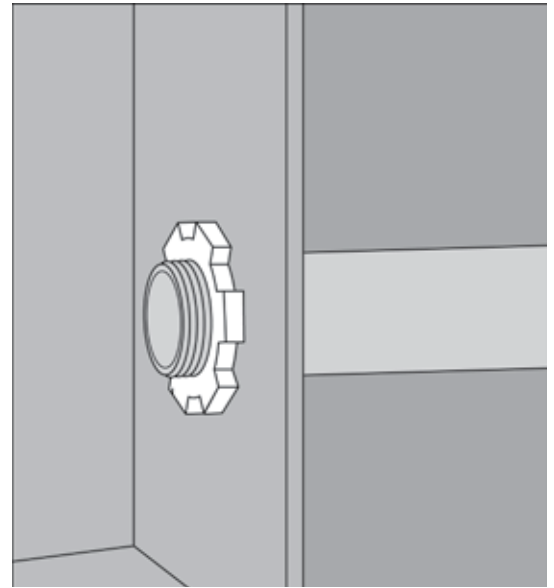
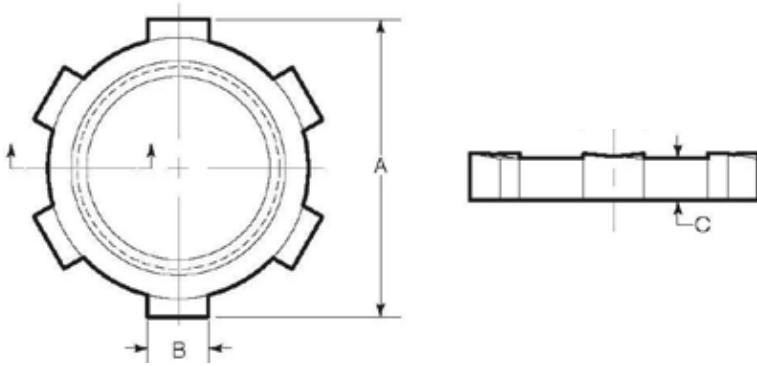
Standards:

- ASTM A351, ASTM F593



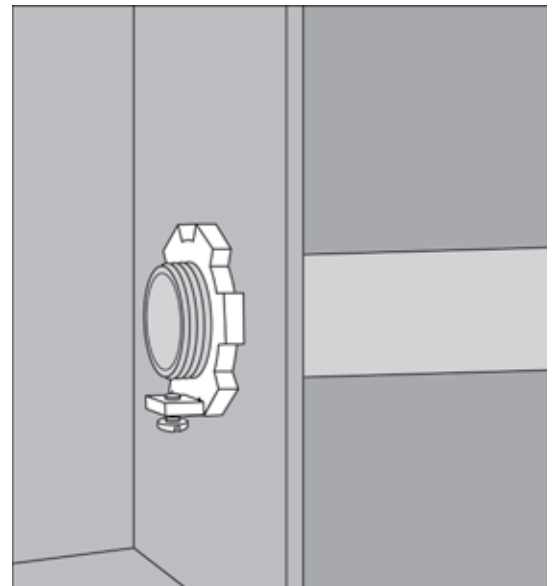
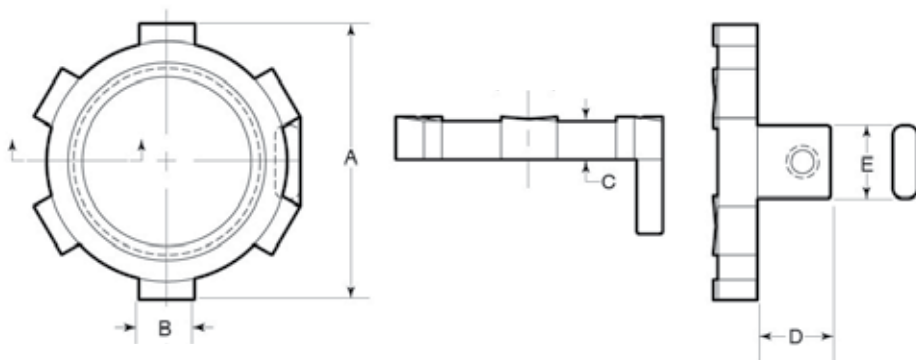
Locknut

Part Number	Conduit Size	Weight/ 100 (lbs.)	Dimension (in.)		
			A	B	C
8050	½ in.	2	1.313	0.25	0.19
8075	¾ in.	4	1.613	0.312	0.22
8100	1 in.	6	1.863	0.38	0.26
8125	1-¼ in.	10	2.25	0.38	0.26
8150	1-½ in.	14	2.652	0.438	0.27
8200	2 in.	19	3.063	0.602	0.28
8250	2-½ in.	24	3.6	0.6	0.3
8300	3 in.	41	4.31	0.69	0.375
8400	4 in.	60	5.38	0.75	0.44



Grounding Locknut

Part Number	Conduit Size	Weight/ 100 (lbs.)	Dimension (in.)				
			A	B	C	D	E
8050-G	½ in.	3	1.313	0.25	0.19	0.5	0.44
8075-G	¾ in.	7	1.613	0.312	0.22	0.5	0.5
8100-G	1 in.	8	1.863	0.38	0.26	0.5	0.5
8125-G	1-¼ in.	13	2.25	0.38	0.26	0.5	0.5
8150-G	1-½ in.	16	2.562	0.438	0.27	0.5	0.5
8200-G	2 in.	21	3.063	0.602	0.28	0.5	0.5
8250-G	2-½ in.	26	3.6	0.6	0.3	0.5	0.56
8300-G	3 in.	45	4.31	0.69	0.375	0.625	0.565
8400-G	4 in.	67	5.38	0.75	0.44	0.625	0.625



STAINLESS STEEL LIQUIDTIGHT CONNECTORS



*Straight Liquidtight
Connector*



*45° Liquidtight
Connector*



*90° Liquidtight
Connector*

Stainless steel liquidtight connectors are designed for use with liquidtight conduit and provide a means of connecting to boxes in wet or dry locations.

Gibson Stainless offers these liquidtight connectors with a Type 316 SS inside ferrule which provides extra resistance to corrosive elements.

PRODUCT DETAILS

Material:

- Body: CF8M (316 SS)
- Locknut: 316 SS
- Sealing Gasket: Neoprene
- Inside Ferrule: 316 SS
- Sealing Ring: Polypropylene
- Gland Nut: 316 SS

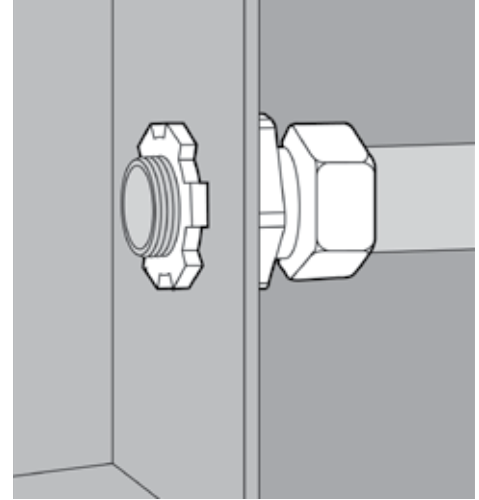
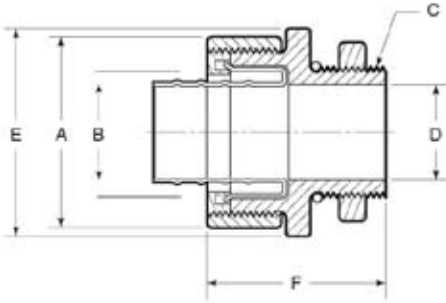
Standards:

ASTM A351, ASTM A240



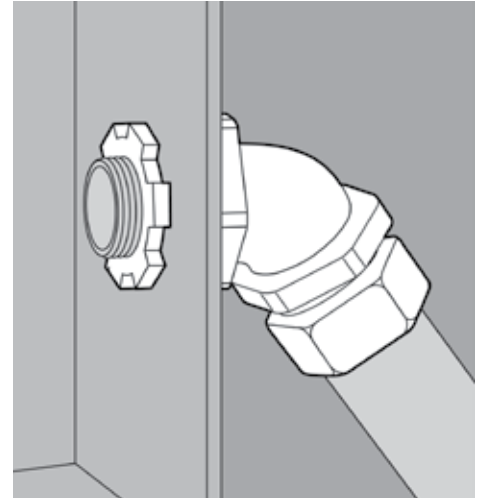
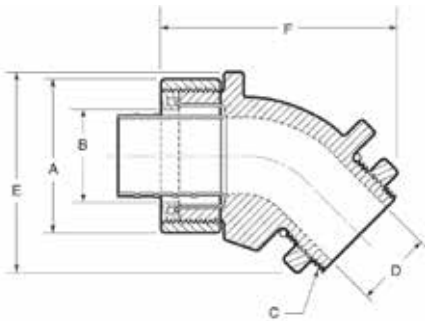
Straight Liquidtight Connector

Part Number	Conduit Size	Weight/ 100 (lbs.)	Dimension (in.)					
			A	B	C	D	E	F
LT50	½ in.	25	1.58	0.86	½-14 NPT	0.62	1.54	1.5
LT75	¾ in.	35	1.6	1.06	¾-14 NPT	0.78	1.71	1.67
LT100	1 in.	51	1.9	1.33	1-11-½ NPT	1.00	1.99	1.84



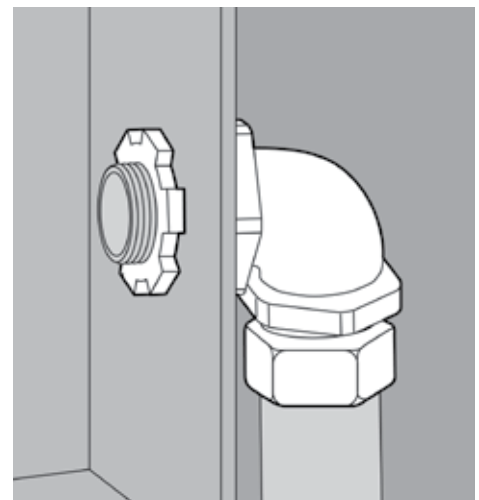
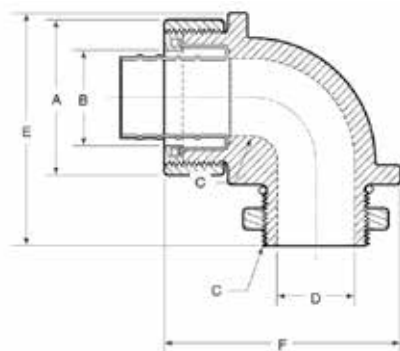
45° Liquidtight Connector

Part Number	Conduit Size	Weight/ 100 (lbs.)	Dimension (in.)					
			A	B	C	D	E	F
LT50-45	½ in.	40	1.58	0.86	½-14 NPT	0.62	2.2	2.5
LT75-45	¾ in.	55	1.6	1.06	¾-14 NPT	0.78	2.4	2.62
LT100-45	1 in.	77	1.9	1.33	1-11-½ NPT	1.00	2.7	3.00



90° Liquidtight Connector

Part Number	Conduit Size	Weight/ 100 (lbs.)	Dimension (in.)					
			A	B	C	D	E	F
LT50-90	½ in.	45	1.58	0.86	½-14 NPT	0.62	1.8	2.4
LT75-90	¾ in.	61	1.6	1.06	¾-14 NPT	0.78	2.08	2.65
LT100-90	1 in.	86	1.9	1.33	1-11-½ NPT	1.00	2.35	3.00



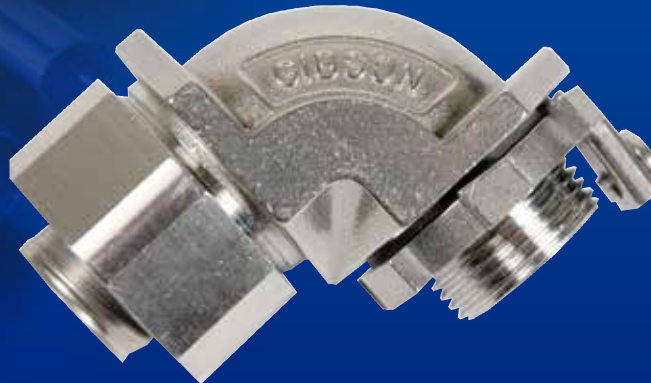
STAINLESS STEEL **LIQUIDTIGHT CONNECTORS**



*Grounding Straight
Liquidtight Connector*



*Grounding 45°
Liquidtight Connector*



*Grounding 90°
Liquidtight Connector*

Like the standard liquidtight connectors, the grounding liquidtight connectors are designed for use with liquidtight conduit and provide a means of connecting to boxes in wet or dry locations. A grounding lug and screw provide a secure connection for ground wiring.

PRODUCT DETAILS

Material:

- Body: CF8M (316 SS)
- Locknut: CF8M (316 SS)
- Sealing Gasket: Neoprene
- Inside Ferrule: 316 SS
- Sealing Ring: Polypropylene
- Gland Nut: 316 SS

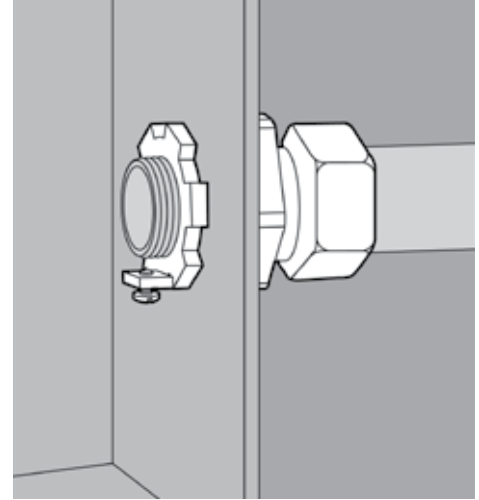
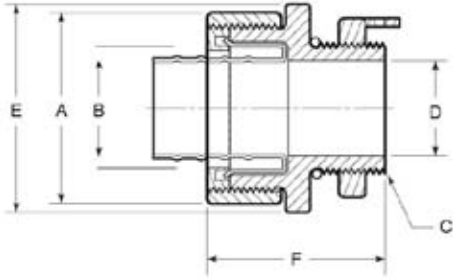
Standards:

ASTM A351, ASTM F593



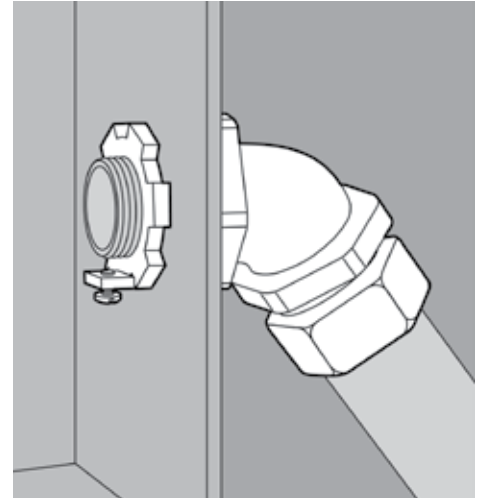
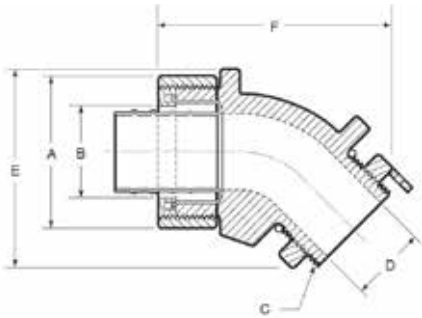
Grounding Straight Liquidtight Connector

Part Number	Conduit Size	Weight/ 100 (lbs.)	Dimension (in.)					
			A	B	C	D	E	F
LT50-G	½ in.	27	1.58	0.86	½-14 NPT	0.62	1.54	1.5
LT75-G	¾ in.	38	1.6	1.06	¾-14 NPT	0.78	1.71	1.67
LT100-G	1 in.	55	1.9	1.33	1-11-½ NPT	1.00	1.99	1.84



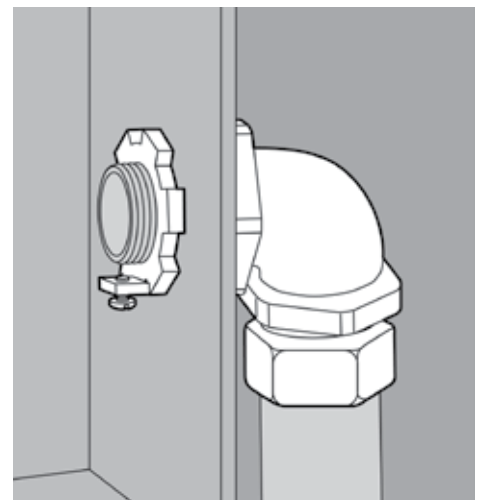
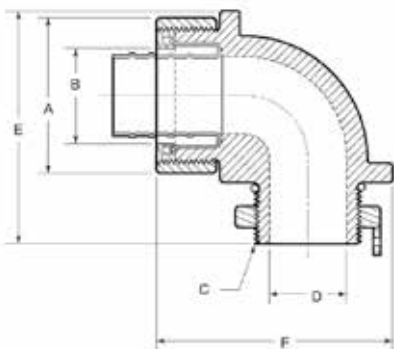
Grounding 45° Liquidtight Connector

Part Number	Conduit Size	Weight/ 100 (lbs.)	Dimension (in.)					
			A	B	C	D	E	F
LT50-45-G	½ in.	42	1.58	0.86	½-14 NPT	0.62	2.2	2.5
LT75-45-G	¾ in.	58	1.6	1.06	¾-14 NPT	0.78	2.4	2.62
LT100-45-G	1 in.	81	1.9	1.33	1-11-½ NPT	1.00	2.7	3.00



Grounding 90° Liquidtight Connector

Part Number	Conduit Size	Weight/ 100 (lbs.)	Dimension (in.)					
			A	B	C	D	E	F
LT50-90-G	½ in.	47	1.58	0.86	½-14 NPT	0.62	1.8	2.4
LT75-90-G	¾ in.	64	1.6	1.06	¾-14 NPT	0.78	2.08	2.65
LT100-90-G	1 in.	90	1.9	1.33	1-11-½ NPT	1.00	2.35	3.00



STAINLESS STEEL PLUGS AND REDUCING BUSHINGS



Hex Head Plug



Hex Head Reducing Bushing

HEX HEAD PLUG: Stainless steel hex head plugs provide a means of closing off conduit fitting ports.

HEX HEAD REDUCING BUSHING: Stainless steel reducing bushings provide a means of connecting a smaller size of conduit to a larger conduit fitting port. Gibson Stainless reducing bushings are threaded male to female.

When ordering reducing bushings, please state part number and size.
Example: 7500RB - $\frac{3}{4}$ "x $\frac{1}{2}$ "

PRODUCT DETAILS

Hex Head Plug

Material: 316 SS

Import

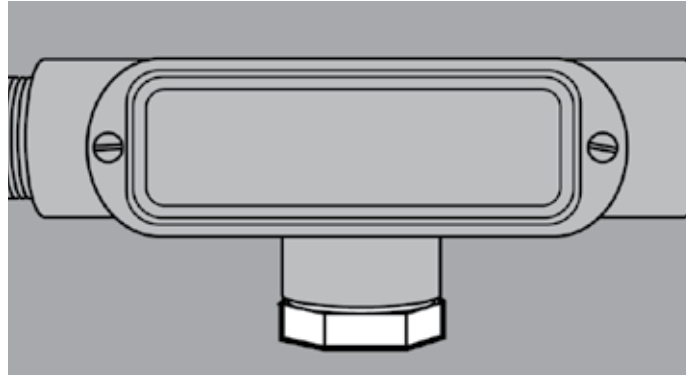
Hex Head Reducing Bushing

Material: 316 SS

Import

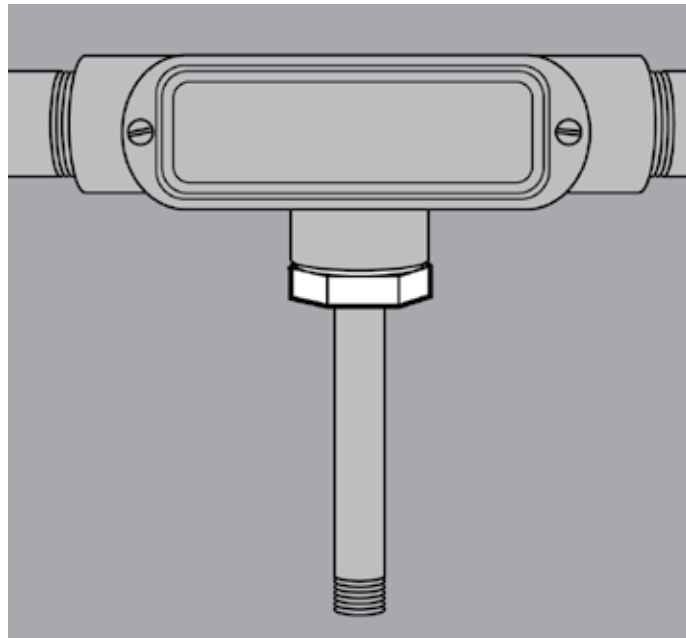
Hex Head Plug

Part Number	Size	Weight/ 100 (lbs.)
7038P	3/8 in.	10
7050P	1/2 in.	12
7075P	3/4 in.	17
7100P	1 in.	26
7125P	1-1/4 in.	47
7150P	1-1/2 in.	65
7200P	2 in.	99
7250P	2-1/2 in.	155
7300P	3 in.	244
7400P	4 in.	430



Hex Head Reducing Bushing

Part Number	Size	Weight/ 100 (lbs.)
7500RB	1/2 x 1/4	8
7500RB	1/2 x 3/8	7
7500RB	3/4 x 1/4	16
7500RB	3/4 x 3/8	15
7500RB	3/4 x 1/2	12
7500RB	1 x 3/8	22
7500RB	1 x 1/2	20
7500RB	1 x 3/4	16
7500RB	1-1/4 x 1/2	41
7500RB	1-1/4 x 3/4	38
7500RB	1-1/4 x 1	31
7500RB	1-1/2 x 1/2	70
7500RB	1-1/2 x 3/4	67
7500RB	1-1/2 x 1	61
7500RB	1-1/2 x 1-1/4	47
7500RB	2 x 1/2	92
7500RB	2 x 3/4	84
7500RB	2 x 1	79
7500RB	2 x 1-1/4	79
7500RB	2 x 1-1/2	69
7500RB	2-1/2 x 1/2	170
7500RB	2-1/2 x 3/4	163
7500RB	2-1/2 x 1	172
7500RB	2-1/2 x 1-1/4	155
7500RB	2-1/2 x 1-1/2	145
7500RB	2-1/2 x 2	117
7500RB	3 x 1	279
7500RB	3 x 1-1/4	264
7500RB	3 x 1-1/2	247
7500RB	3 x 2	219
7500RB	3 x 2-1/2	183
7500RB	4 x 1-1/4	415
7500RB	4 x 1-1/2	423
7500RB	4 x 2	441
7500RB	4 x 2-1/2	428
7500RB	4 x 3	353



STAINLESS STEEL STRAPS & HANGERS



One Hole Strap



Two Hole Strap



Conduit Hanger

ONE HOLE AND TWO HOLE STRAPS: Stainless steel one hole and two hole straps are used to mount conduit systems flat against walls and other surfaces to provide extra support.

**NOTE: Stainless steel plates to be used as clamp back spacers with one hole straps are available. Please contact factory for details.*

CONDUIT HANGER: Stainless steel conduit hangers are designed to be used in conjunction with threaded rod, beam clamps, etc. to suspend rigid (heavywall) conduit from I-beams, flanges, etc.

PRODUCT DETAILS

One Hole, Two Hole Strap

Material: 316 SS

Standards: ASTM A240



Conduit Hanger

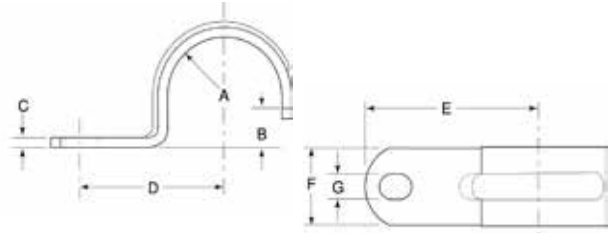
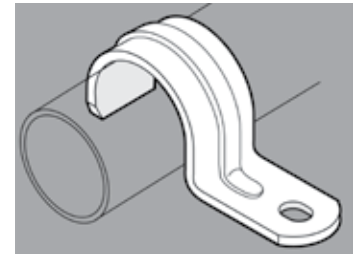
Material: 316 SS

Standards: ASTM A240, ASTM F593

Product may contain imported components (hex nut, bolt).

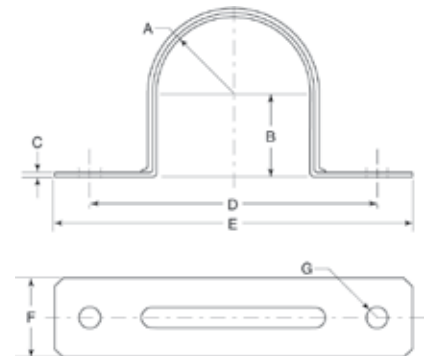
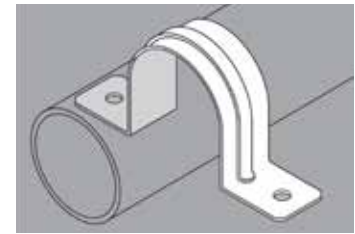
One Hole Strap

Part Number	Pipe/Rigid Conduit Size	Weight/ 100 (lbs.)	Dimension (in.)						
			A	B	C	D	E	F	G
3050	½ in.	4	.420	.390	.065-.073	.937	1.375	.625	.250
3075	¾ in.	5	.525	.500	.072-.080	1.031	1.562	.750	.250
3100	1 in.	8	.655	.620	.085-.095	1.25	1.812	.875	.312
3125	1-¼ in.	12	.830	.800	.098-.110	1.500	2.000	.875	.375
3150	1-½ in.	15	.950	.920	.098-.110	1.875	2.500	1.000	.437
3200	2 in.	24	1.185	1.150	.115-.125	2.125	2.750	1.125	.562
3250	2-½ in.	43	1.437	1.400	.145-.155	2.562	3.312	1.250	.562
3300	3 in.	47	1.750	1.700	.145-.155	2.875	3.625	1.250	.562
3350	3-½ in.	66	2.000	1.950	.175-.185	3.250	4.000	1.250	.562
3400	4 in.	72	2.250	2.200	.175-.185	3.500	4.250	1.250	.562



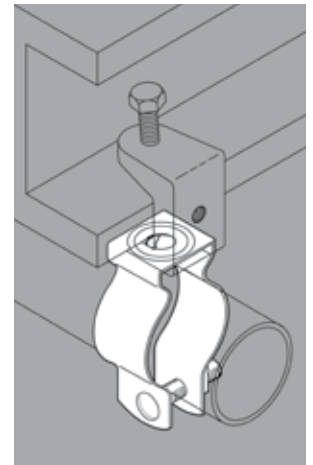
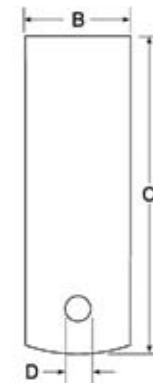
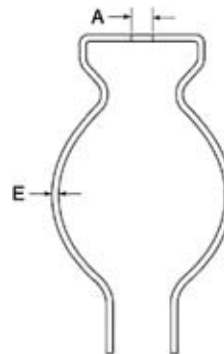
Two Hole Strap

Part Number	Pipe/Rigid Conduit Size	Weight/ 100 (lbs.)	Dimension (in.)						
			A	B	C	D	E	F	G
3038-2	⅜ in.	2	.35	.32	.024 - .030	1.56	2.00	.50	.188
3050-2	½ in.	2	.42	.39	.024 - .030	1.78	2.25	.56	.188
3075-2	¾ in.	3	.52	.50	.024 - .030	2.18	2.62	.62	.188
3100-2	1 in.	4	.65	.62	.033 - .038	2.53	3.20	.75	.250
3125-2	1-¼ in.	6	.83	.80	.033 - .038	3.16	4.00	.87	.250
3150-2	1-½ in.	9	.95	.92	.043 - .050	3.37	4.20	.93	.250
3200-2	2 in.	11	1.18	1.15	.043 - .050	4.25	5.12	1.00	.375
3250-2	2-½ in.	16	1.43	1.40	.053 - .060	4.95	5.87	1.00	.375
3300-2	3 in.	20	1.75	1.70	.053 - .060	5.50	6.50	1.00	.375
3350-2	3-½ in.	26	2.00	1.95	.068 - .075	6.18	7.12	1.00	.437
3400-2	4 in.	29	2.25	2.20	.068 - .075	6.81	7.75	1.00	.437



Conduit Hanger

Part Number	Conduit Size	Weight/ 100 (lbs.)	Dimension (in.)				
			A	B	C	D	E
6050	½ in.	7	0.25	0.750	1.90	0.275	0.050
6075	¾ in.	8	0.25	0.875	2.10	0.275	0.050
6100	1 in.	9	0.25	0.875	2.40	0.275	0.050
6125	1-¼ in.	11	0.25	0.875	2.80	0.275	0.050
6150	1-½ in.	17	0.31	1.00	3.25	0.275	0.060
6200	2 in.	23	0.31	1.25	3.75	0.275	0.060
6250	2-½ in.	33	0.375	1.125	4.625	0.3125	0.075
6300	3 in.	38	0.375	1.187	5.50	0.3125	0.075
6400	4 in.	48	0.375	1.250	6.25	0.3125	0.075

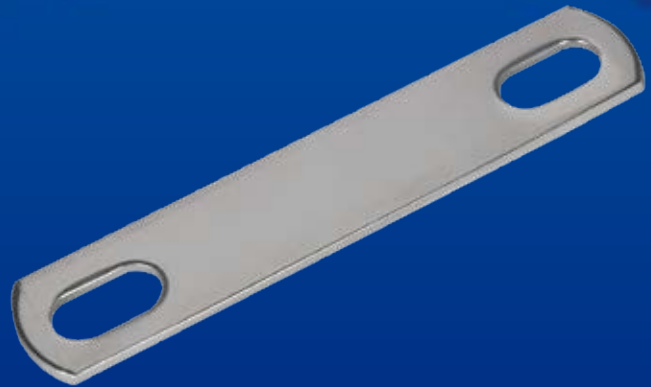


- Sizes ½" - 2" supplied complete with Type 316 SS slotted machine screw and nut.
- 2-½", 3", and 4" sizes supplied complete with Type 316 SS carriage bolt and nut.

STAINLESS STEEL U-BOLTS & PLATES



U-Bolt



U-Bolt Plate

U-BOLT: Stainless steel u-bolts are used to run and support conduit or pipe in electrical systems. Gibson Stainless offers u-bolts for both rigid conduit and for mechanical applications (figure 137 style u-bolts).

U-BOLT PLATE: U-bolt plates (sold separately) help provide a uniform surface upon which to tighten hex nuts.

PRODUCT DETAILS

U-BOLT

Material: 316 SS

Standards: ASTM A193 B8M Class I, ASTM F593
Product may contain imported components (hex nuts, raw material for u-bolt).

U-BOLT PLATE

Material: 316 SS

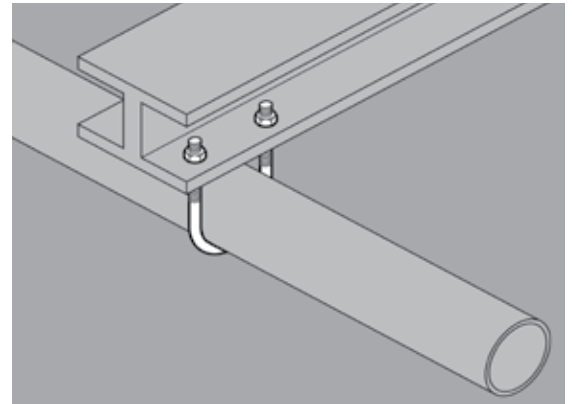
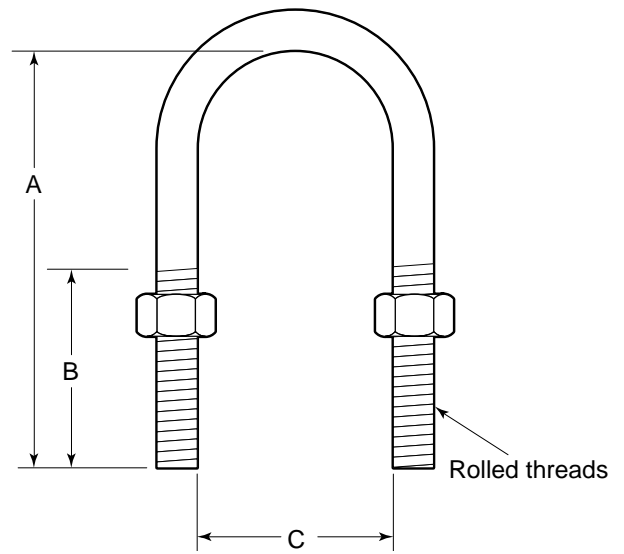
Standards: ASTM A240



U-Bolt

Part Number	Pipe/Rigid Conduit Size	Load Rating (lbs.)	Weight/ 100 (lbs.)	-----Dimension (in.)-----			Size & Pitch
				A	B	C	
0050	½ in.	950	12	2.41	1.50	0.94	5/16 - 18
0075	¾ in.	950	13	2.73	1.50	1.15	5/16 - 18
0100	1 in.	950	15	3.04	1.50	1.41	5/16 - 18
0125	1-¼ in.	950	15	3.16	1.50	1.76	5/16 - 18
0150	1-½ in.	950	17	3.48	1.50	2.00	5/16 - 18
0200	2 in.	1250	30	4.30	1.75	2.50	¾ - 16
0250	2-½ in.	1250	33	4.80	1.75	2.99	¾ - 16
0300	3 in.	1250	36	5.36	1.75	3.62	¾ - 16
0350	3-½ in.	1250	40	5.80	1.75	4.11	¾ - 16
0400	4 in.	1250	44	6.50	1.75	4.61	¾ - 16
0500	5 in.	2250	102	7.75	3.00	5.63	½ - 13
0600	6 in.	3550	199	9.50	3.75	6.75	5/8 - 11
0800	8 in.	3550	236	11.50	3.75	8.75	5/8 - 11
01000	10 in.	5250	412	13.813	4.00	10.875	¾ - 10
01200	12 in.	7500	680	16.00	4.25	12.875	7/8 - 9
01400	14 in.	7500	690	17.32	4.25	14.125	7/8 - 9
01600	16 in.	7500	760	19.313	4.25	16.125	7/8 - 9
01800	18 in.	9900	1150	21.688	4.75	18.125	1 - 8
02000	20 in.	9900	1250	23.688	4.75	20.125	1 - 8

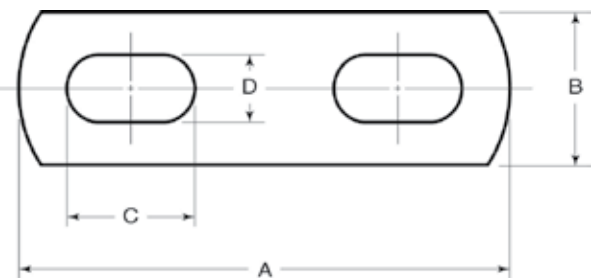
- Sizes ½" - 4" sold with one nut on each leg.
- Sizes 4" - 20" sold with two nuts on each leg.



U-Bolt Plate

Part Number	Nominal Size	Use w/ Gibson Part Number	Weight/ 100 (lbs.)	-----Dimension (in.)-----				Hole Style
				A	B	C	D	
UBP0050	½ in.	0050	3	2.25	0.75	0.555	0.325	Oblong
UBP0075	¾ in.	0075	3	2.375	0.75	0.555	0.325	Oblong
UBP0100	1 in.	0100	4	2.625	0.75	0.555	0.325	Oblong
UBP0125	1-¼ in.	0125	4	3.00	0.75	0.555	0.325	Oblong
UBP0150	1-½ in.	0150	5	3.25	0.75	0.555	0.325	Oblong
UBP0200	2 in.	0200	12	4.125	1.00	0.865	0.435	Oblong
UBP0250	2-½ in.	0250	16	5.00	1.00	0.865	0.435	Oblong
UBP0300	3 in.	0300	17	5.25	1.00	0.865	0.435	Oblong
UBP0350	3-½ in.	0350	19	5.75	1.00	0.865	0.435	Oblong
UBP0400	4 in.	0400	19	6.25	1.00	0.865	0.435	Oblong
UBP0500	5 in.	0500	33	8.00	1.25	1.06	0.57	Oblong
UBP0600	6 in.	0600	104	9.125	1.625	*0.688	-	Round
UBP0800	8 in.	0800	119	11.125	1.625	*0.688	-	Round
UBP01000	10 in.	01000	151	13.375	1.625	*0.812	-	Round
UBP01200	12 in.	01200	300	16.25	2.5	*0.938	-	Round
UBP01400	14 in.	01400	324	19.00	2.5	*0.938	-	Round
UBP01600	16 in.	01600	380	21.00	2.5	*0.938	-	Round
UBP01800	18 in.	01800	432	23.25	2.5	*1.125	-	Round
UBP02000	20 in.	02000	500	25.25	2.5	*1.125	-	Round

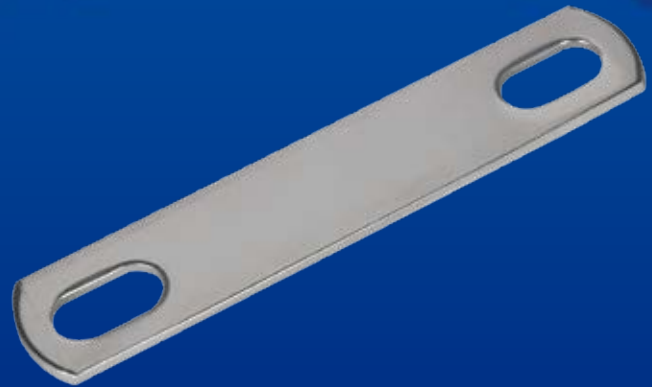
*Diameter



STAINLESS STEEL **U-BOLTS & PLATES** (FIGURE 137 STYLE)



U-Bolt
Figure 137 Style



U-Bolt Plate
Figure 137 Style

U-BOLT: Stainless steel u-bolts are used to run and support conduit or pipe in electrical systems. Gibson Stainless offers u-bolts for both rigid conduit and for mechanical applications (figure 137 style u-bolts).

U-BOLT PLATE: U-bolt plates (sold separately) help provide a uniform surface upon which to tighten hex nuts.

PRODUCT DETAILS

U-BOLT (Figure 137 Style)

Material: 316 SS

Standards: ASTM A193 B8M Class I, ASTM F593
Product may contain imported components (hex nuts, raw material for u-bolt).

U-BOLT PLATE (Figure 137 Style)

Material: 316 SS

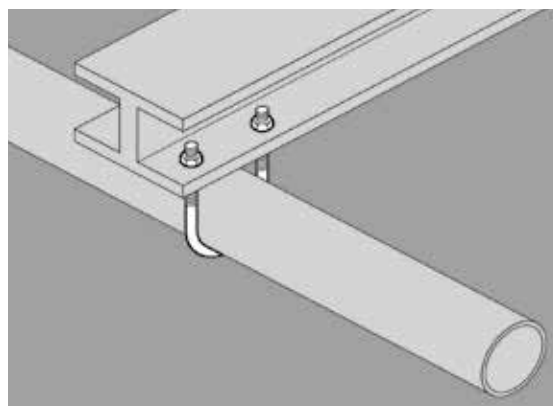
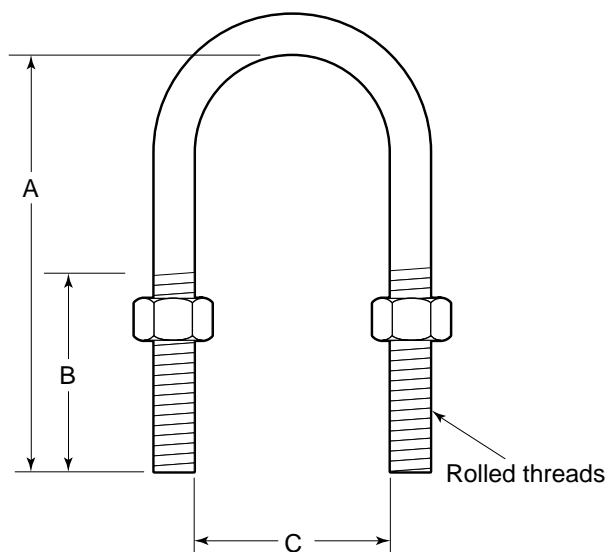
Standards: ASTM A240



U-Bolt (Figure 137 Style)

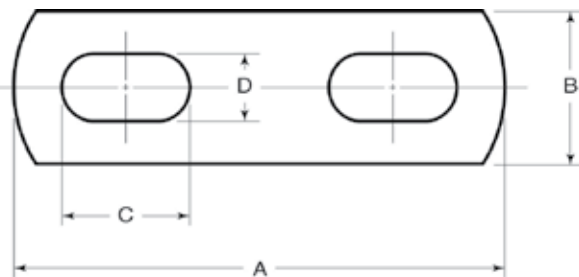
Part Number	Pipe/Rigid Conduit Size	Load Rating (lbs.)	Weight/ 100 (lbs.)	-----Dimension (in.)-----			Size & Pitch
				A	B	C	
0050-137	½ in.	485	9	3.22	2.13	0.94	¼ - 20
0075-137	¾ in.	485	10	3.31	2.13	1.13	¼ - 20
0100-137	1 in.	485	10	3.44	2.13	1.38	¼ - 20
0125-137	1-¼ in.	1220	26	3.72	2.13	1.69	⅜ - 16
0150-137	1-½ in.	1220	28	4.00	2.50	2.00	⅜ - 16
0200-137	2 in.	1220	30	4.47	2.50	2.44	⅜ - 16
0250-137	2-½ in.	2260	66	5.22	3.00	2.94	½ - 13
0300-137	3 in.	2260	72	5.78	3.00	3.56	½ - 13
0350-137	3-½ in.	2260	77	6.28	3.00	4.06	½ - 13
0400-137	4 in.	2260	83	6.78	3.00	4.56	½ - 13

• Sizes ½" - 4" sold with one nut on each leg.



U-Bolt Plate (Figure 137 Style)

Part Number	Nominal Size	Use w/ Gibson Part Number	Weight/ 100 (lbs.)	-----Dimension (in.)-----				Hole Style
				A	B	C	D	
P50-137	½ in.	0050-137	3	2.1875	0.75	0.555	0.275	Oblong
P75-137	¾ in.	0075-137	4	2.6250	0.75	0.555	0.275	Oblong
P100-137	1 in.	0100-137	4	2.8750	0.75	0.555	0.275	Oblong
P125-137	1-¼ in.	0125-137	10	3.6250	1.00	0.435	0.87	Oblong
P150-137	1-½ in.	0150-137	12	4.0000	1.00	0.435	0.87	Oblong
P200-137	2 in.	0200-137	12	4.1250	1.00	0.435	0.87	Oblong
P250-137	2-½ in.	0250-137	20	5.1875	1.25	0.575	1.06	Oblong
P300-137	3 in.	0300-137	23	5.6250	1.25	0.575	1.06	Oblong
P350-137	3-½ in.	0350-137	25	6.2500	1.25	0.575	1.06	Oblong
P400-137	4 in.	0400-137	28	6.7500	1.25	0.575	1.06	Oblong



STAINLESS STEEL CONDUIT CLAMPS



Right Angle Clamp



Parallel Clamp

RIGHT ANGLE CLAMP: Stainless steel right angle clamps are designed to fit rigid conduit/pipe as well as PVC-coated conduit to firmly fix pipe to the flange of a structural member at a 90° angle without drilling holes.

PARALLEL CLAMP: Stainless steel parallel clamps are designed for use with both rigid and PVC-coated conduit. Parallel clamps are used to run pipe or conduit parallel to the flange of I-beams or channel simply and easily without drilling holes.

PRODUCT DETAILS

Right Angle Clamp

Material:

-Body: CF8M (316 SS)

-U-Bolt, Hex Nuts: 316 SS

Standards: ASTM A351, ASTM A193 B8M Class I, ASTM F593

Product may contain imported components (hex nuts, raw material for u-bolt).

Parallel Clamp

Material:

-Body: CF8M (316 SS)

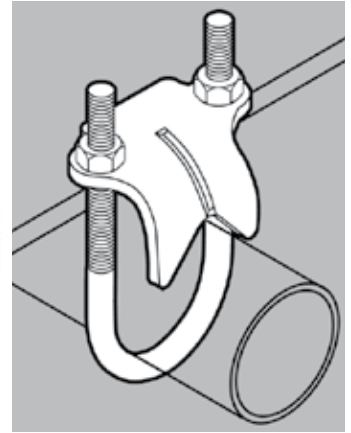
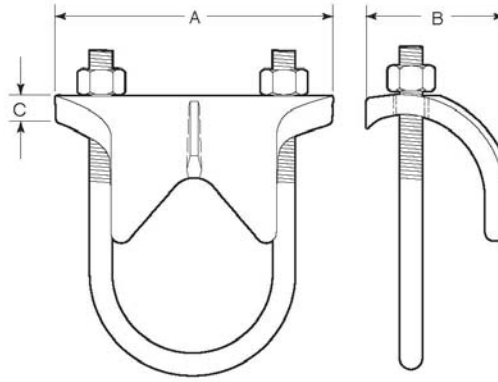
-Hex Nut, Bolt: 316 SS

Standards: ASTM A351, ASTM F593

Product may contain imported components (hex nut, bolt).

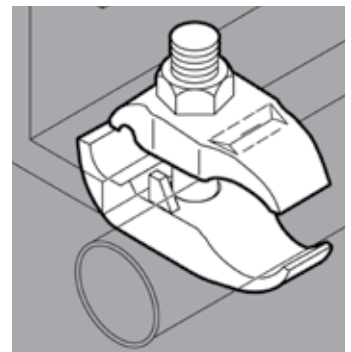
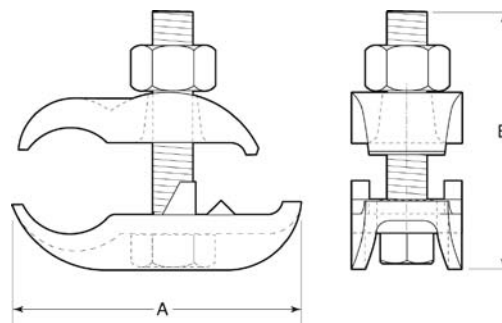
Right Angle Clamp

Part Number	Pipe/Rigid Conduit Size	Weight/ 100 (lbs.)	-----Dimension (in.)-----		
			A	B	C
1050	½ in.	34	1.9375	1.625	0.1875
1075	¾ in.	35	2.0625	1.625	0.1875
1100	1 in.	43	2.5625	1.625	0.1875
1125	1-¼ in.	51	2.8125	1.625	0.1875
1150	1-½ in.	61	3.3125	1.625	0.1875
1200	2 in.	96	3.8125	1.625	0.1875
1250	2-½ in.	125	4.5625	1.75	0.25
1300	3 in.	146	5.1875	1.75	0.25
1350	3-½ in.	166	5.6875	1.75	0.25
1400	4 in.	177	6.1875	1.75	0.25
1600	6 in.	351	8.50	2.25	0.45



Parallel Clamp

Part Number	Pipe/Rigid Conduit Size	Weight/ 100 (lbs.)	----Dimension (in.)----	
			A	B
4075	¾ in.	58	2.875	2.525
4100	1 in.	60	3.10	2.525



STAINLESS STEEL BEAM CLAMPS



2000 Series Beam Clamp



2100 Series Beam Clamp



Junior Top Beam Clamp

2000 SERIES BEAM CLAMP: The 2000 series beam clamps are also known as “electrician’s style” beam clamps. Attachment holes in the back and bottom permit a wide variety of applications. These beam clamps provide a means of attachment to a structural member without having to drill holes.

2100 SERIES BEAM CLAMP: The 2100 series beam clamps are similar to the 2000 series beam clamps; however they are designed without a back hole.

JUNIOR TOP BEAM CLAMP: The junior top beam clamp is designed primarily as a rod support. The in-line attachment hole provides true, straight fixturing.

PRODUCT DETAILS

2000 Series Beam Clamp

Material:

-Body: CF8M (316 SS)

-Bolt: 316 SS

Standards: ASTM A351, ASTM F593

Part Number 2001: 100% Made in USA

Part Numbers 2003, 2004 may contain imported component (bolt).

2100 Series Beam Clamp

Material:

-Body, Bolt: 316 SS

Standards: MPIF35, ASTM F593

Product may contain imported component (bolt).

Junior Top Beam Clamp

Material:

-Body: CF8M (316 SS)

-Set Screw, Jam Nut: 316 SS

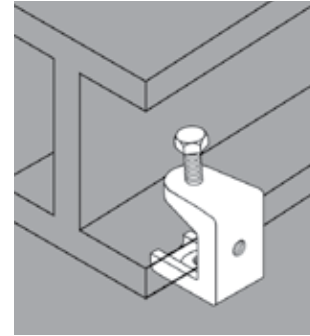
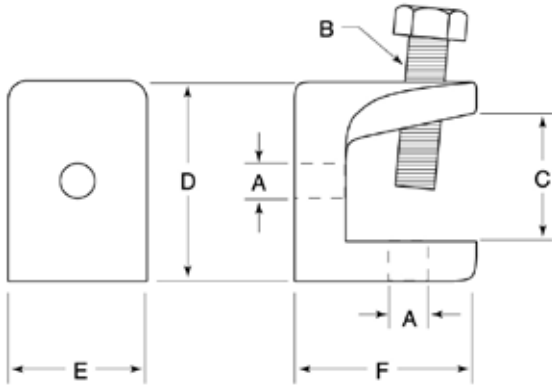
Standards: ASTM A351, ASTM F593

Product may contain imported components (bolt, jam nut).

2000 Series Beam Clamp

Part Number	Size	Load Rating* (lbs.)	Weight/ 100 (lbs.)	Dimension (in.)					
				A	B	C	D	E	F
2001	¼ in.	150	25	¼-20	5/16-18	.908	1.438	.81	1.313
2003	⅜ in.	750	87	⅜-16	½-13	1.156	1.9	1.875	2.00
2004	½ in.	1,100	148	½-13	⅝-11	1.125	2.188	2.125	2.25

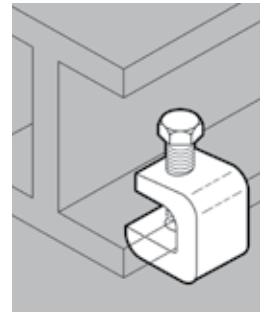
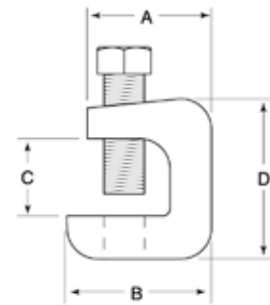
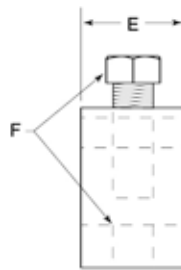
* Based on upright installation, as shown from bottom attachment hole.



2100 Series Beam Clamp

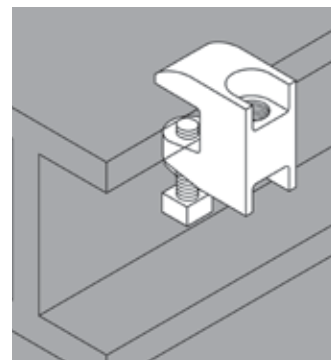
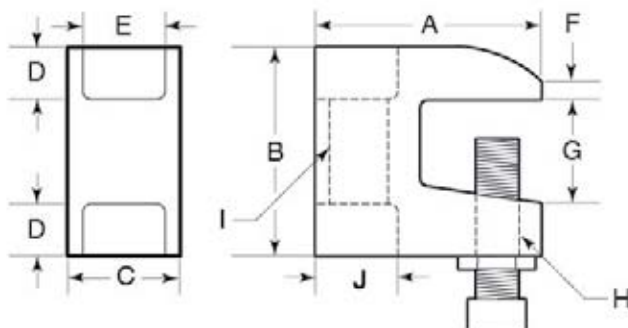
Part Number	Size	Load Rating* (lbs.)	Weight/ 100 (lbs.)	Dimension (in.)					
				A	B	C	D	E	F
2103	⅜ in.	400	51	1.505	1.755	.89	1.9	1.00	⅝-16
2104	½ in.	600	55	1.505	1.755	.89	1.9	1.00	½-13

* Based on upright installation, as shown from bottom attachment hole.



Junior Top Beam Clamp

Part Number	Size	Load Rating (lbs.)	Weight/ 100 (lbs.)	Dimension (in.)									
				A	B	C	D	E	F	G	H	I	J
JTB375	⅜ in.	750	33	1.625	1.500	0.812	0.375	0.592	0.125	0.750	⅜-16	⅜-16	.625
JTB500	½ in.	750	32	1.625	1.500	0.812	0.375	0.592	0.125	0.750	⅜-16	½-13	.625



STAINLESS STEEL THREADED ROD



Threaded Rod



Rod Coupling

THREADED ROD: Threaded rod provides a means of hanging or suspending strut, conduit systems, piping, etc.

Gibson Stainless offers threaded rod in sizes $\frac{1}{4}$ " , $\frac{3}{8}$ " , and $\frac{1}{2}$ " in 6 foot lengths. Sizes $\frac{3}{8}$ " and $\frac{1}{2}$ " are also offered in 10 foot lengths.

ROD COUPLING: Stainless steel rod couplings are hexagon shaped fittings used to connect two lengths of threaded rod.

PRODUCT DETAILS

Threaded Rod

Material: 316 SS

Standards: ASTM A193 B8M Class I



Rod Coupling

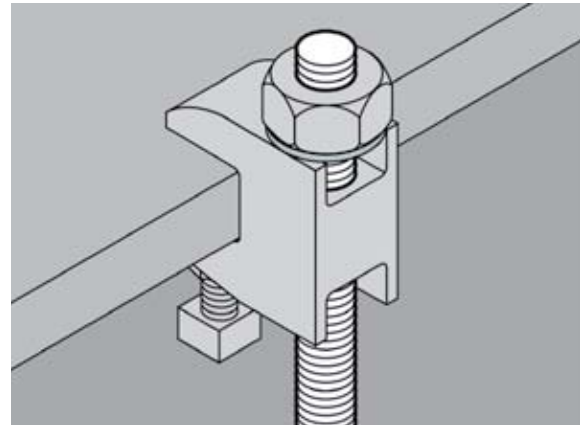
Material: 316 SS

Standards: ASTM F593

Import

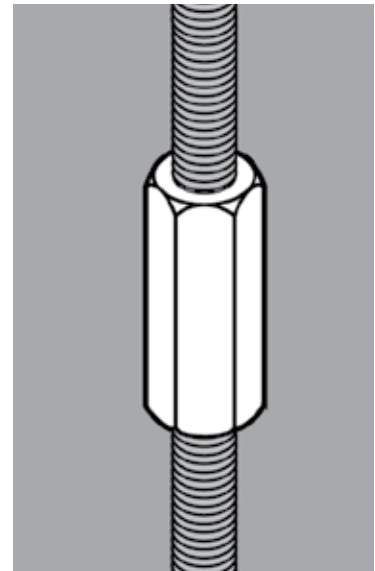
Threaded Rod

Part Number	Thread Size	Threads per Inch	Design Load (lbs.)	Length (ft.)	Weight/ Each (lbs.)
9701	¼ in.	20	150	6	1
9703	⅜ in.	16	610	6	2
9703-10	⅜ in.	16	610	10	3
9704	½ in.	13	1,130	6	4
9704-10	½ in.	13	1,130	10	6



Rod Coupling

Part Number	Thread Size	Threads per Inch	Design Load (lbs.)	Weight/ 100 (lbs.)
9711	¼ in.	20	240	2
9713	⅜ in.	16	610	4
9714	½ in.	13	1,130	6



STAINLESS STEEL STRUT AND ACCESSORIES



Strut



2 Piece Pipe/Conduit Clamp

STRUT: Stainless steel strut is designed to provide the framework and support for conduit systems. The slotted hole configuration allows for attachments at various points without drilling. Together with various fittings, the installation of strut can be very fast and simple. Gibson Stainless offers stainless steel 1-5/8" x 1-5/8" (deep) strut in Type 316 SS and 304 SS.

This 12 gauge strut with slotted holes is stocked in 10' lengths; however, custom lengths are also available.

2 PIECE PIPE/CONDUIT CLAMP (STRUT STRAP): Stainless steel 2 piece clamps, also known as strut straps, are used with strut to support conduit or pipe. Strut straps are designed for use with standard sized channel and can be installed for either vertical or horizontal runs.

PRODUCT DETAILS

Strut

Material: 316 SS and 304 SS



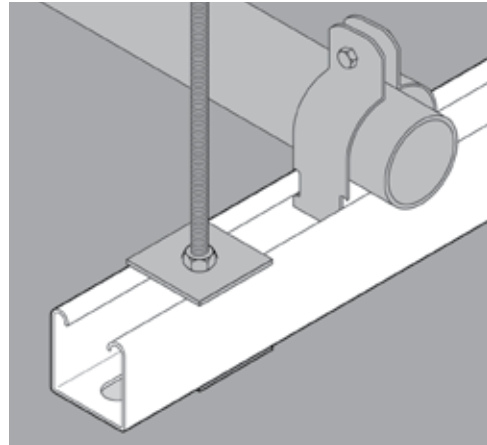
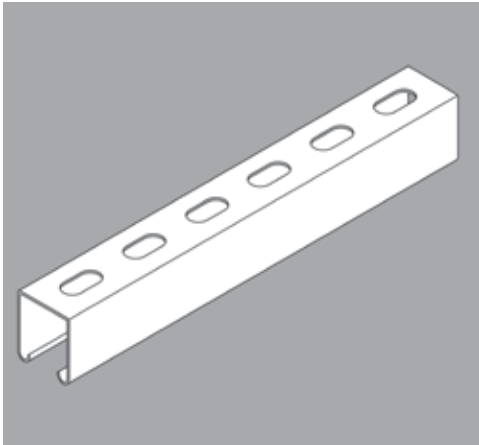
Two Piece Clamp

Material: 316 SS

Standards: ASTM A240, F593
Product may contain imported components (hex nut, bolt).

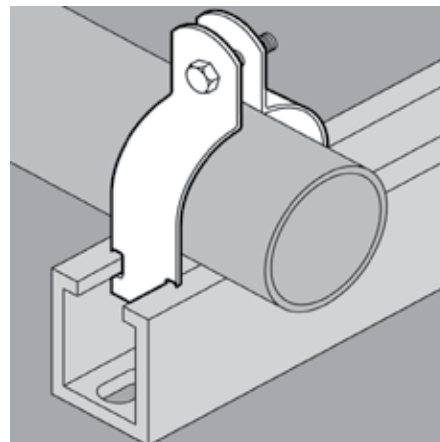
Strut

Part Number	Size	Gauge	Description	Weight/ Each (lbs.)	Material
5000SH-316SS	1-5/8 x 1-5/8	12	Slotted Holes	18	316 SS
5000SH-304SS	1-5/8 x 1-5/8	12	Slotted Holes	18	304 SS



2 Piece Pipe/Conduit Clamp

Part Number	Pipe/Rigid Conduit Size	Weight/ 100 (lbs.)
5050	1/2 in.	12
5075	3/4 in.	15
5100	1 in.	17
5125	1-1/4 in.	18
5150	1-1/2 in.	21
5200	2 in.	23
5250	2-1/2 in.	31
5300	3 in.	33
5350	3-1/2 in.	38
5400	4 in.	41
5500	5 in.	50
5600	6 in.	58
5800	8 in.	70

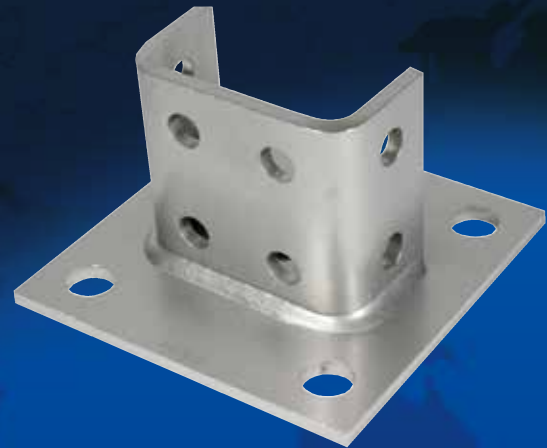


- Sizes 1/2" - 2" supplied complete with 1/4" x 1" hex head cap screw and nut.
- Sizes 2-1/2" - 4" supplied complete with 5/16" x 1" hex head cap screw and nut.
- Sizes 5" - 8" supplied complete with 5/16" x 1-1/4" hex head cap screw and nut.

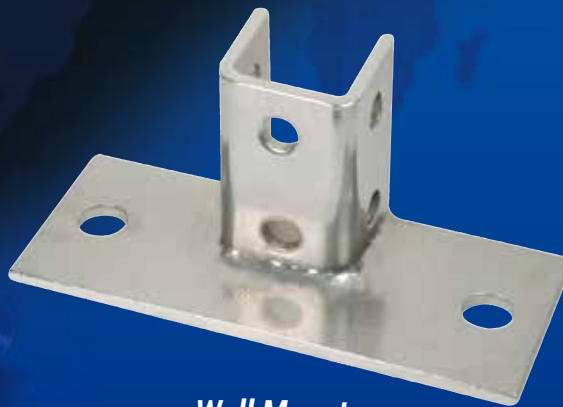
STAINLESS STEEL STRUT AND ACCESSORIES



Standard



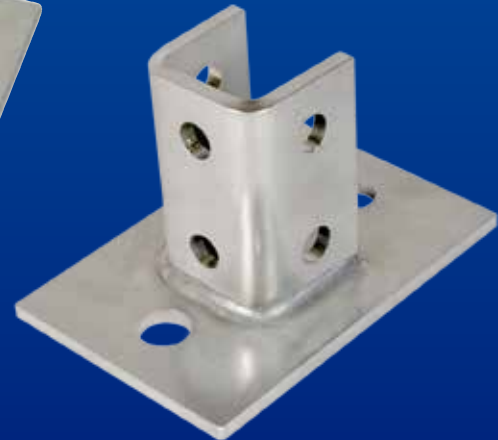
Double



Wall Mount



45° Offset



Standard Narrow

Stainless steel post base fittings are designed to be floor mounted to support upright installations of strut. They are made with Type 316 SS and are intended for use with 1-5/8" x 1-5/8" strut.

Gibson Stainless currently offers the post bases in five configurations: Standard, 45° Offset, Wall Mount, Double and Standard Narrow.

PRODUCT DETAILS

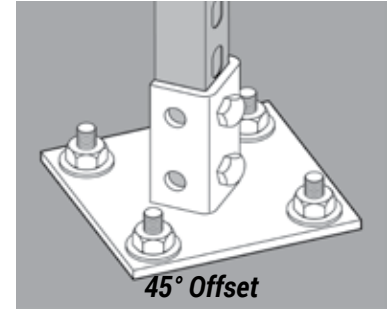
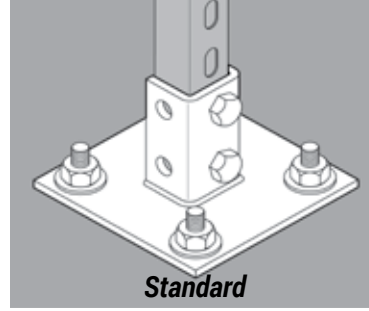
Material: 316 SS

Standards: ASTM A240



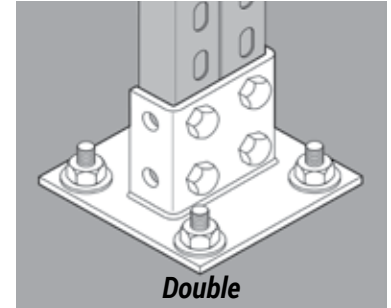
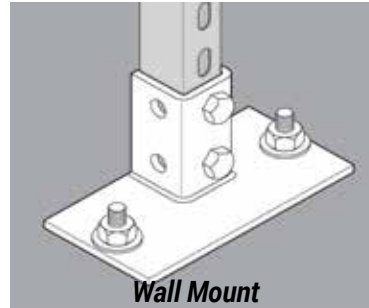
Standard Post Base

Part Number	Weight/ Each (lbs.)	Dimension (in.)				
		A	B	C	D	E
5990PB1	4	6.00	3.75	0.25	2.21	1.942



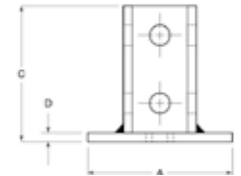
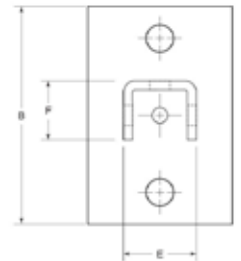
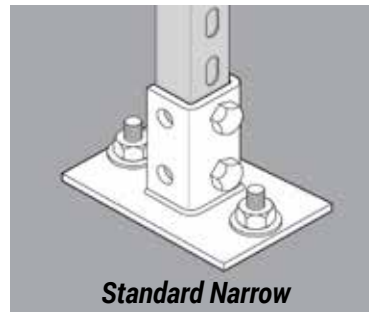
45° Offset Post Base

Part Number	Weight/ Each (lbs.)	Dimension (in.)				
		A	B	C	D	E
5990PB2	4	6.00	3.75	0.25	2.21	1.942



Wall Mount Post Base

Part Number	Weight/ Each (lbs.)	Dimension (in.)					
		A	B	C	D	E	F
5990PB3	3	3.25	8.00	0.25	3.75	2.21	1.942



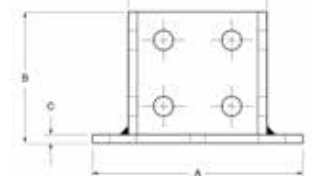
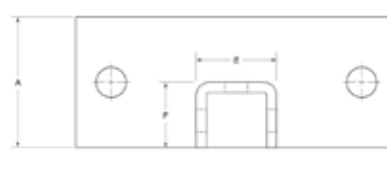
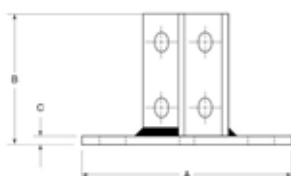
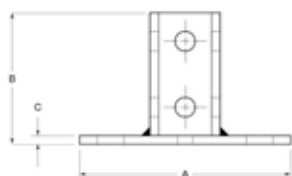
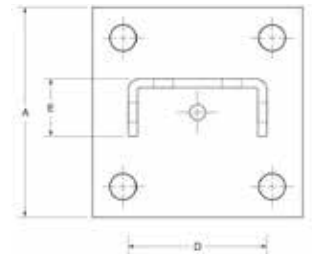
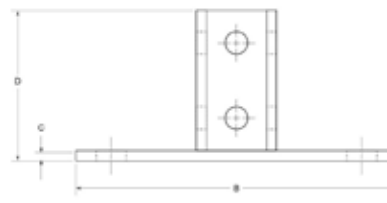
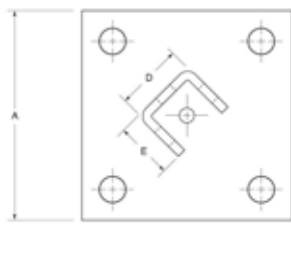
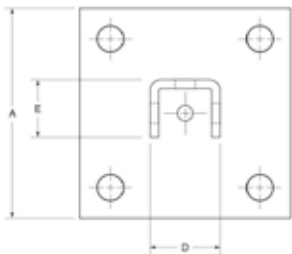
Standard Narrow

Double Post Base

Part Number	Weight/ Each (lbs.)	Dimension (in.)				
		A	B	C	D	E
5990PB4	5	6.00	3.75	0.25	3.84	1.942

Standard Narrow Post Base

Part Number	Weight/ Each (lbs.)	Dimension (in.)					
		A	B	C	D	E	F
5990PB5	4	4.00	6.00	3.75	.25	2.21	1.94



Standard

45° Offset

Wall Mount

Double

STAINLESS STEEL STRUT AND ACCESSORIES



*Right Angle
Beam Clamp*



Spring Nut

RIGHT ANGLE BEAM CLAMP: Stainless steel right angle beam clamps are designed to help secure strut to a beam, flange or other structural member. Gibson Stainless offers the right angle beam clamps for both 1- $\frac{5}{8}$ " x 1- $\frac{5}{8}$ " and 1- $\frac{5}{8}$ " x 3- $\frac{1}{4}$ " strut.

SPRING NUT: Stainless steel spring nuts aid in securing and gripping components in a strut system.

Channel nuts without the spring are also available.

PRODUCT DETAILS

Right Angle Beam Clamp

Material: 316 SS

Standards: ASTM A240, ASTM A193 B8M Class I, ASTM F593

Product may contain imported components (hex nuts, raw material for u-bolt).

Spring Nut

Material:

-Channel Nut: 316 SS

-Spring: 302 SS

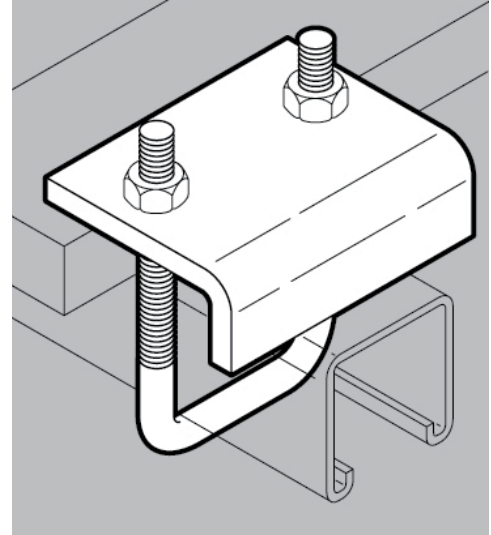
Standards:

MPIF 35, ASTM A313



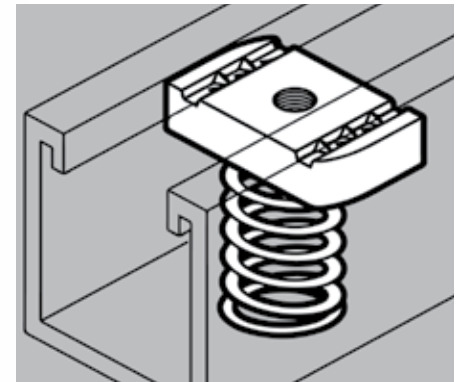
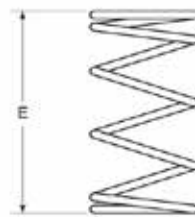
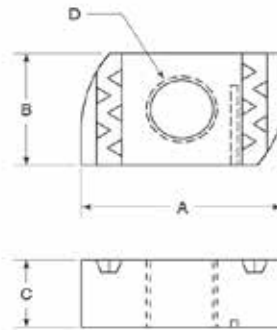
Right Angle Beam Clamp

Part Number	Strut Size	Load Rating (lbs.)	Weight/100 (lbs.)
5990	1-5/8 x 1-5/8	1000	90
5990L	1-5/8 x 3-1/4	1000	97



Spring Nut

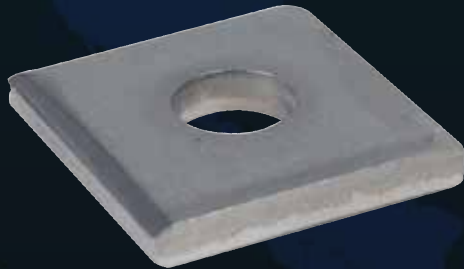
Part Number	Size	Weight/100 (lbs.)	Dimension (in.)				
			A	B	C	D	E
5911	1/4 in.	10	1.385	0.82	0.375	1/4-20	1.5
5912	5/16 in.	9	1.385	0.82	0.375	5/16-18	1.5
5913	3/8 in.	9	1.385	0.82	0.375	3/8-16	1.5
5914	1/2 in.	11	1.385	0.82	0.495	1/2-13	1.5
5915	5/8 in.	12	1.385	1.2	0.45	5/8-11	1.5
5916	3/4 in.	13	1.385	1.2	0.45	3/4-10	1.5



Channel Nut (without spring)

Part Number	Size	Weight/100 (lbs.)
5901	1/4 in.	10
5902	5/16 in.	9
5903	3/8 in.	9
5904	1/2 in.	11
5905	5/8 in.	12
5906	3/4 in.	13

STAINLESS STEEL STRUT AND ACCESSORIES



Square Washer



2-Hole Angle



3-Hole Angle



4-Hole Angle

SQUARE WASHER: Stainless steel square washers are designed for use with 1-5/8" x 1-5/8" strut to aid in making connections in strut systems.

90° ANGLES: Stainless steel 90° angles are used to support and make various connections in strut systems.

PRODUCT DETAILS

Square Washer

Material: 316 SS

Standards: ASTM A240



90° Angles

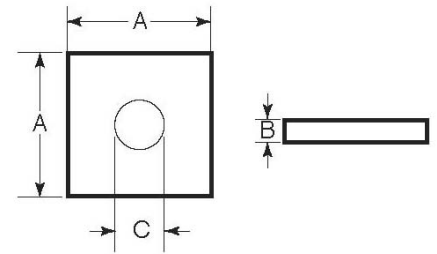
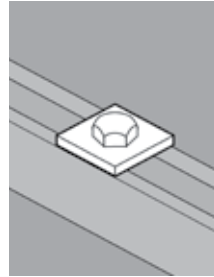
Material: 316 SS

Standards: ASTM A240



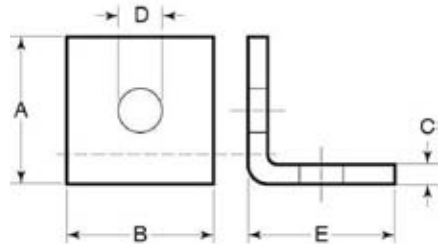
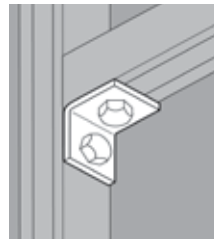
Square Washer

Part Number	Rod Size	Hole Diameter	Weight/ 100 (lbs.)	Dimension (in.)		
				A	B	C
5970-1/4	1/4 in.	11/32 in.	17	1-5/8	0.25	11/32
5970-3/8	3/8 in.	7/16 in.	17	1-5/8	0.25	7/16
5970-1/2	1/2 in.	9/16 in.	16	1-5/8	0.25	9/16
5970-5/8	5/8 in.	11/16 in.	16	1-5/8	0.25	11/16
5970-3/4	3/4 in.	13/16 in.	16	1-5/8	0.25	13/16



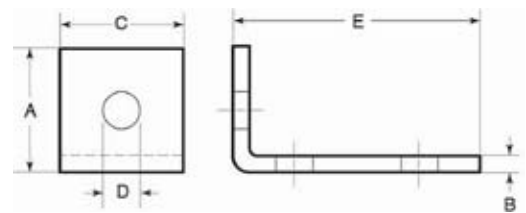
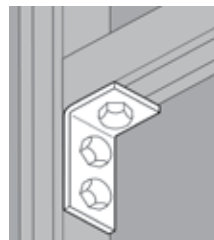
2-Hole 90° Angle

Part Number	Hole Diameter	Weight/ 100 (lbs.)	Dimension (in.)				
			A	B	C	D	E
5971	9/16 in.	36	2	1.625	0.25	9/16	1.875



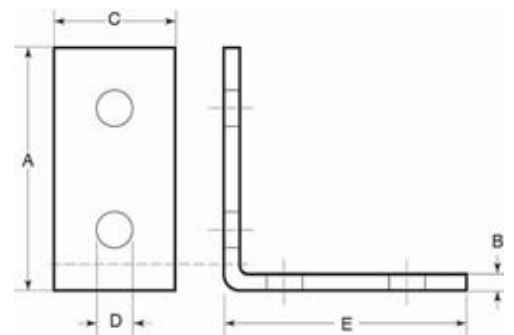
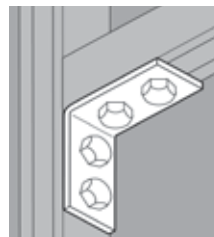
3-Hole 90° Angle

Part Number	Hole Diameter	Weight/ 100 (lbs.)	Dimension (in.)				
			A	B	C	D	E
5974	9/16 in.	59	2	0.25	1.625	9/16	3.875



4-Hole 90° Angle

Part Number	Hole Diameter	Weight/ 100 (lbs.)	Dimension (in.)				
			A	B	C	D	E
5973	9/16 in.	84	3.75	0.25	1.625	9/16	4.125



STAINLESS STEEL STRUT AND ACCESSORIES



3-Hole Flat Angle



4-Hole Flat Angle



4-Hole Splice Plate



Cross Plate



Tee Plate

Stainless steel flat plates are used in a strut system to make various connections.

PRODUCT DETAILS

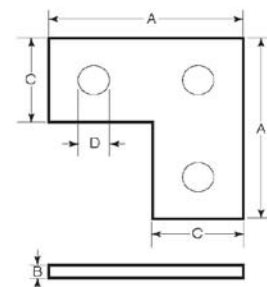
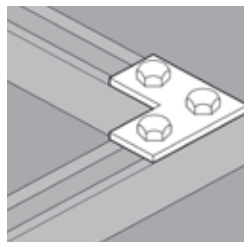
Material: 316 SS

Standards: ASTM A240



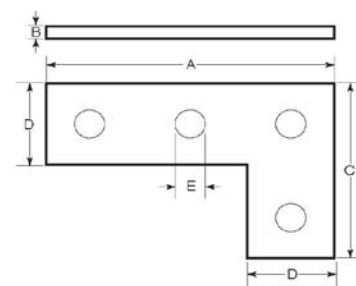
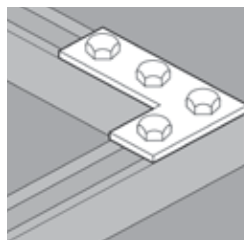
3-Hole Flat Angle

Part Number	Hole Diameter	Weight/ 100 (lbs.)	Dimension (in.)			
			A	B	C	D
5963	9/16 in.	55	3.5	0.25	1.625	9/16



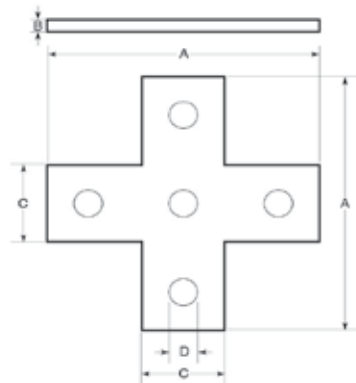
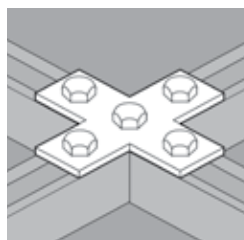
4-Hole Flat Angle

Part Number	Hole Diameter	Weight/ 100 (lbs.)	Dimension (in.)				
			A	B	C	D	E
5964	9/16 in.	75	5.375	0.25	3.5	1.625	9/16



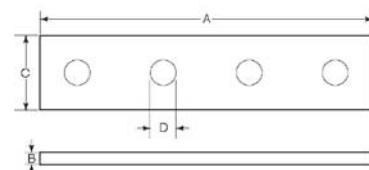
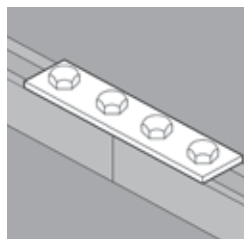
Cross Plate

Part Number	Hole Diameter	Weight/ 100 (lbs.)	Dimension (in.)			
			A	B	C	D
5965	9/16 in.	74	5.375	0.25	1.625	9/16



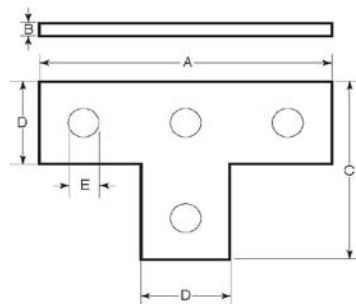
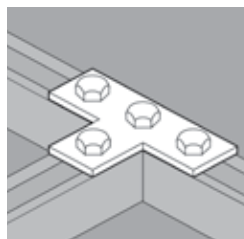
4-Hole Splice Plate

Part Number	Hole Diameter	Weight/ 100 (lbs.)	Dimension (in.)			
			A	B	C	D
5969	9/16 in.	74	7.25	0.25	1.625	9/16



Tee Plate

Part Number	Hole Diameter	Weight/ 100 (lbs.)	Dimension (in.)				
			A	B	C	D	E
5966	9/16 in.	74	5.375	0.25	3.5	1.625	9/16



STAINLESS STEEL GROUNDING ROD



Grounding Rod



Grounding Rod Clamp

GROUNDING ROD: Stainless steel ground rods provide a means of conducting current from a ground wire into the ground. Gibson Stainless offers ground rods in Type 316 SS and Type 304 SS in 8 and 10 foot lengths.

NOTE: When ordering ground rod, please designate 316 SS or 304 SS. Example: GR3410-304SS

GROUNDING ROD CLAMP: Stainless steel ground rod clamps provide a means of connecting ground wire to a ground rod/electrode connector. The set screw provided with the ground rod clamp helps tighten the connection for better conduction.

PRODUCT DETAILS

Grounding Rod

Material: 316 SS and 304 SS

Standards: ASTM A276, ASTM A479

Compliances: Type 304 SS UL Listed for Canada and US (Standard 467)



Grounding Rod Clamp

Material:

-Body: CF8M (316 SS)

-Bolt: 316 SS

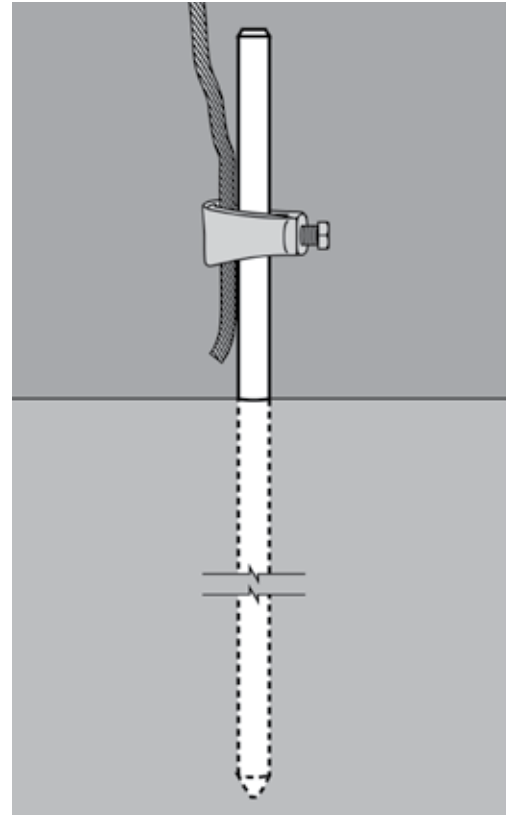
Standards: ASTM A351, ASTM F593

Compliances: UL Listed for Canada and US (Standard 467)
Product may contain imported component (bolt).



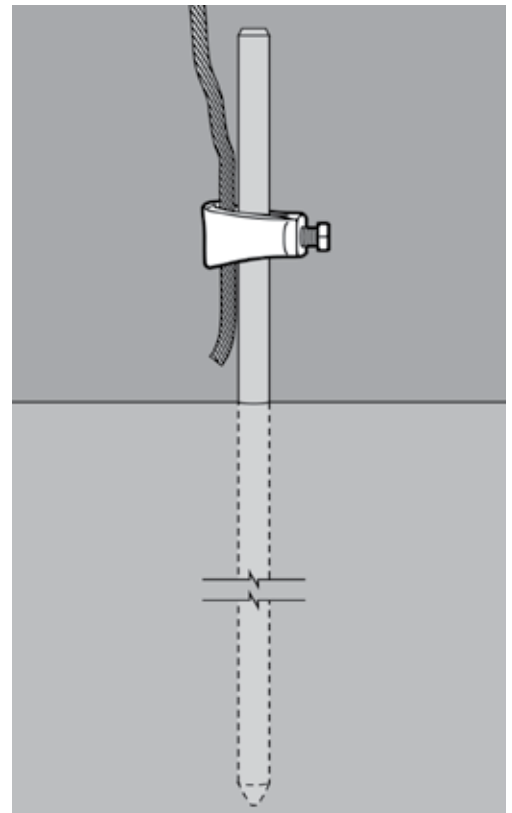
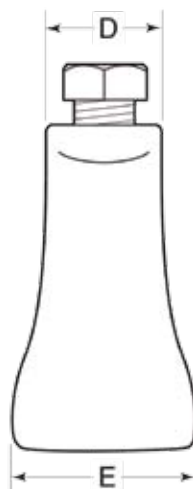
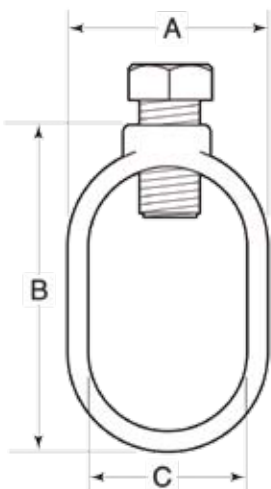
Grounding Rod

Part Number	Rod Size	Length (ft.)	Weight/ Each (lbs.)
GR588	5/8 in.	8	9
GR5810	5/8 in.	10	11
GR348	3/4 in.	8	12
GR3410	3/4 in.	10	15
GR18	1 in.	8	22
GR110	1 in.	10	27



Grounding Rod Clamp

Part Number	Rod Size	Weight/ 100 (lbs.)	Dimension (in.)				
			A	B	C	D	E
GRC625	5/8 in.	13	0.96	1.38	0.66	0.63	0.69
GRC75	3/4 in.	14	1.10	1.50	0.77	0.62	0.875
GRC100	1 in.	45	1.45	2.38	1.05	0.94	1.63



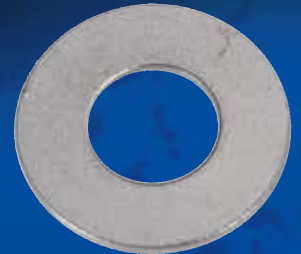
STAINLESS STEEL HARDWARE



Hex Head Cap Screw



Hex Nut



Flat Washer



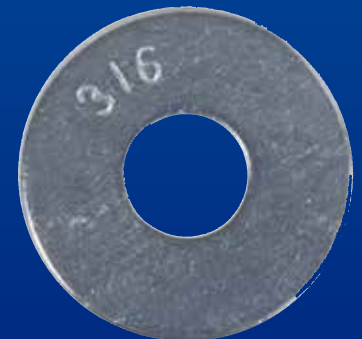
Wedge Anchor



*Slotted Machine
Screw*



Lock Washer



Fender Washer

When ordering hardware, please state part number and size.
Example: 9905 - ¼"x1"

PRODUCT DETAILS

Material: 316 SS

Standards: ASTM F593

Import

Hex Head Cap Screw

Part Number	Diameter x Length (in.)
9905	1/4 x 3/4
9905	1/4 x 1
9905	1/4 x 1-1/4
9905	1/4 x 1-1/2
9905	1/4 x 2
9905	3/8 x 1/2
9905	3/8 x 3/4
9905	3/8 x 1

Part Number	Diameter x Length (in.)
9905	3/8 x 1-1/4
9905	3/8 x 1-1/2
9905	3/8 x 2
9905	1/2 x 3/4
9905	1/2 x 1
9905	1/2 x 1-1/4
9905	1/2 x 1-1/2
9905	1/2 x 2

Hex Nut

Part Number	Size	Pitch
9901	1/4 in.	20
9901	5/16 in.	18
9901	3/8 in.	16
9901	1/2 in.	13
9901	5/8 in.	11
9901	3/4 in.	10
9901	7/8 in.	9
9901	1 in.	8

Wedge Anchor

Part Number	Diameter x Length (in.)
9400WA	1/4 x 1-3/4
9400WA	1/4 x 2-1/4
9400WA	1/4 x 3-1/4
9400WA	3/8 x 2-1/4
9400WA	3/8 x 3-3/4
9400WA	3/8 x 5
9400WA	1/2 x 2-3/4
9400WA	1/2 x 3-3/4
9400WA	1/2 x 5-1/2

Lock Washer

Part Number	Size
9921	1/4 in.
9921	5/16 in.
9921	3/8 in.
9921	1/2 in.
9921	5/8 in.

Flat Washer

Part Number	Size
9920	1/4 in.
9920	5/16 in.
9920	3/8 in.
9920	1/2 in.
9920	5/8 in.

Slotted Machine Screw

Part Number	Diameter x Length (in.)
9905M	1/4 x 1
9905M	1/4 x 1-1/4
9905M	1/4 x 1-1/2
9905M	1/4 x 2

Fender Washer

Part Number	Size
9920F	1/4 x 1
9920F	1/4 x 1-1/4
9920F	3/8 x 1
9920F	3/8 x 1-1/4
9920F	1/2 x 1-1/2

INDUSTRIES SERVED

food processing plants

BREWERIES

bottling companies

CONSTRUCTION/BRIDGES

off-shore oil platforms

REFINERIES

petrochemical plants

TUNNELS & MINES

water & sewage treatment plants

STEEL MILLS

oil & chemical processing

MARINE APPLICATIONS

high strength

FAST DELIVERY

low maintenance

RELIABILITY

cost effective

CUSTOMER SERVICE

corrosion resistant



GIBSON STAINLESS
& SPECIALTY INC

"Customer Service is our Specialty"

PO BOX 847 • Greensburg, PA 15601

PHONE: 1-800-945-4316 • 724-838-8320 • FAX: 724-838-1544

www.gibsonstainless.com