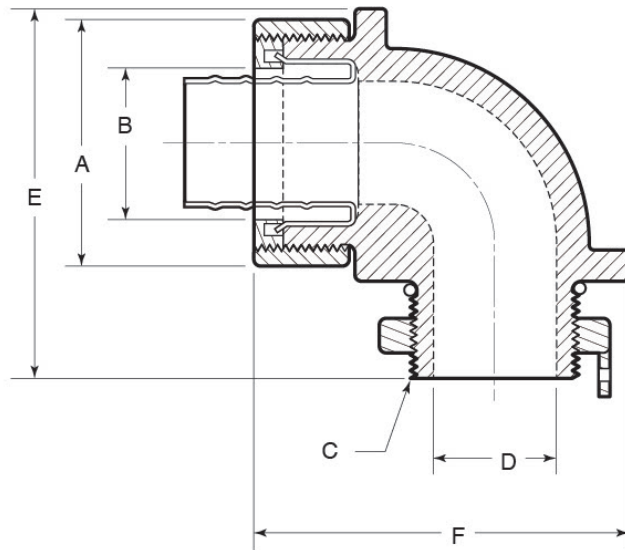
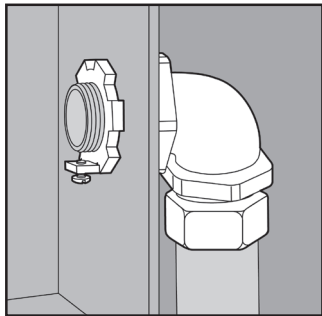


# GROUNDING 90° LIQUIDTIGHT CONNECTORS

## APPLICATION

- Designed for use with liquidtight conduit
- Provide a means of connecting to boxes in wet or dry locations
- A grounding lug and screw provide a secure connection for ground wiring
- Offered in three configurations: Straight, 45°, 90°
- Supplied complete with a Type 316 SS gland nut, polyethylene sealing ring, Type 316 SS ferrule, sealing gasket, and Type 316 SS grounding locknut
- Type 316 SS inside ferrule provides extra corrosion resistance on inside of fitting (Other inside ferrules made of materials such as carbon steel may corrode easily, effecting the entire fitting.)
- Manufactured in stainless steel to help prevent corrosion
- Can be installed using ordinary hand tools and require little maintenance or repair
- Provided in a bright, polished finish that does not require touch up or painting



## PRODUCT DETAILS

### Material:

- Body: CF8M (316 SS)
- Locknut: CF8M (316 SS)
- Sealing Gasket: Neoprene
- Inside Ferrule: 316 SS
- Sealing Ring: Polypropylene
- Gland Nut: ) 316 SS

### Standards:

ASTM A351, ASTM F593

### Country of Origin:

OD in USA

Part Number	Conduit Size	Weight/100 (lbs.)	Dimension (in.)					
			A	B	C	D	E	F
LT50-90-G	½ in.	47	1.5	0.8	½-14 NPT	0.62		2.40
LT75-90-G	¾ in.	64	1.0	1.0	¾-14 NPT	0.7	2.	2.
LT100-90-G	1 in.	90		1.3	1-11-½ NPT	1.00	2.	

