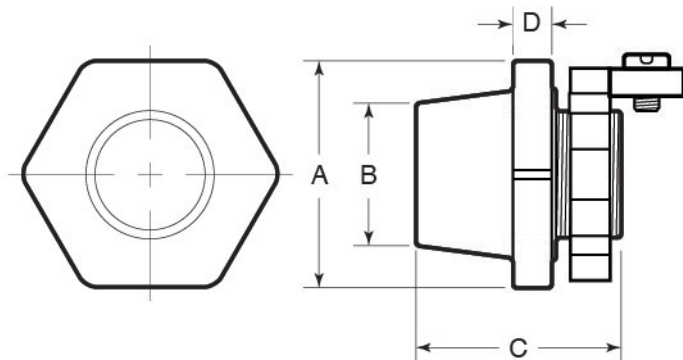
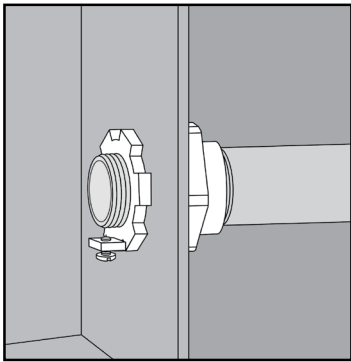


STAINLESS STEEL GROUNDING HUBS



APPLICATION

- Designed for use with threaded conduit
- Provide a means of connecting conduit to various enclosures and/or for terminating electric circuits
- Grounding lug and screw provide a secure connection for ground wiring
- Manufactured in stainless steel to help prevent corrosion
- Can be installed using ordinary hand tools and require little maintenance or repair
- Provided in a bright, polished finish that does not require touch up or painting



PRODUCT DETAILS

Material:

- Body: CF8M (316 SS)
- Locknut: CF8M (316 SS)
- Grounding Screw: 316 SS
- O-Ring: Neoprene

Country of Origin:

100% Made in USA

Part Number	Conduit Size	Weight/100 (lbs.)	Dimension (in.)			
			A	B	C	D
7050-G-HUB	½ in.	22	1.31	1.12	1.59	0.44
7075-G-HUB	¾ in.	34	1.63	1.33	1.75	0.44
7100-G-HUB	1 in.	49	1.88	1.59	2.06	0.44
7125-G-HUB	1-¼ in.	73	2.25	1.95	2.06	0.44
7150-G-HUB	1-½ in.	87	2.56	2.20	2.19	0.44
7200-G-HUB	2 in.	114	3.06	2.70	2.25	0.50
7250-G-HUB	2-½ in.	192	3.60	3.20	3.09	0.50
7300-G-HUB	3 in.	334	4.50	3.89	3.38	0.50
7400-G-HUB	4 in.	459	5.38	4.97	3.69	0.56

