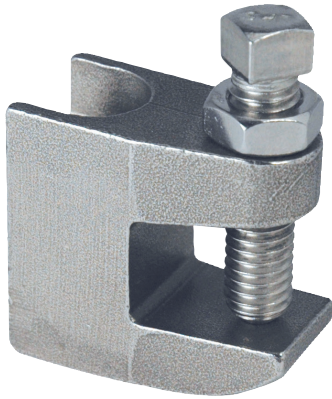
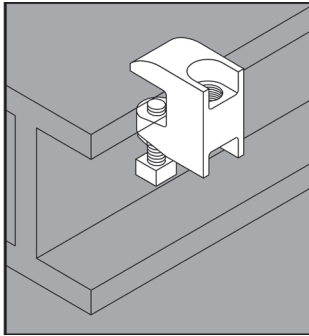


STAINLESS STEEL JUNIOR TOP BEAM CLAMPS



APPLICATION

- Designed primarily as a rod support
- In-line attachment hole provides true, straight fixturing
- Manufactured in stainless steel to help prevent corrosion
- Can be installed using ordinary hand tools and require little maintenance or repair
- Provided in a bright, polished finish that does not require touch up or painting



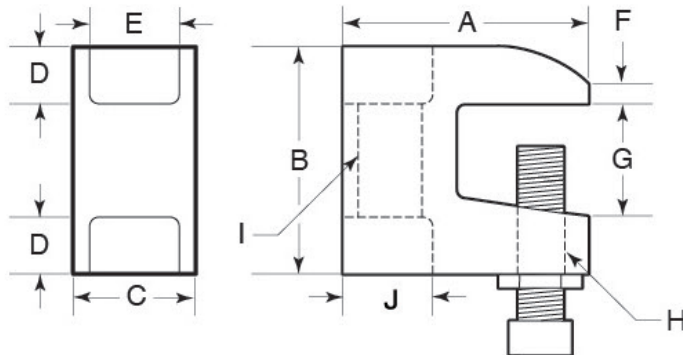
PRODUCT DETAILS

Material:

- Body: CF8M (316 SS)
- Set Screw, Jam Nut: 316 SS

Country of Origin: Product may contain imported component.

Body 100% Made in USA; set screw, jam nut may or may not be of U.S. origin.



| Part Number | Size | Load Rating (lbs.) | Weight/100 (lbs.) | Dimension (in.) | | | | | | | | | |
|-------------|---------|--------------------|-------------------|-----------------|------|------|------|------|------|------|--------------|--------------|------|
| | | | | A | B | C | D | E | F | G | H | I | J |
| JTB375 | 3/8 in. | 750 | 33 | 1.63 | 1.50 | 0.80 | 0.38 | 0.60 | 0.12 | 0.75 | 3/8 - 16 UNC | 3/8 - 16 UNC | 0.63 |
| JTB500 | 1/2 in. | 750 | 32 | 1.63 | 1.50 | 0.80 | 0.38 | 0.60 | 0.12 | 0.75 | 3/8 - 16 UNC | 1/2 - 13 UNC | 0.63 |

