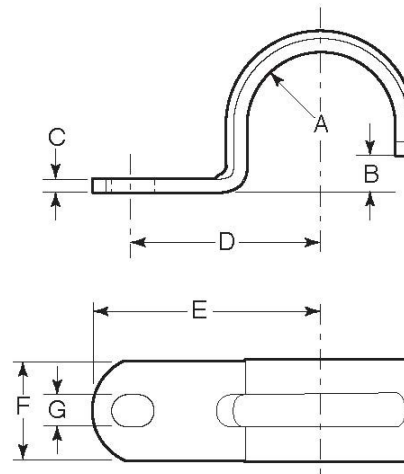
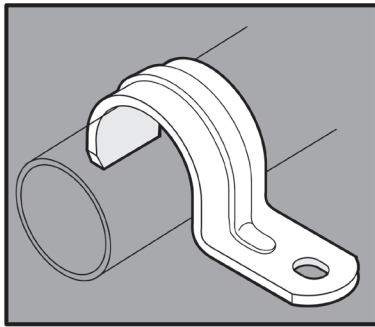


STAINLESS STEEL ONE HOLE STRAPS



APPLICATION

- Used to mount conduit systems flat against walls and other surfaces to provide extra support
- Manufactured in stainless steel to help prevent corrosion
- Can be installed using ordinary hand tools and require little maintenance or repair
- Provided in a bright, polished finish that does not require touch up or painting



PRODUCT DETAILS

Material:

316 SS

Standards:

ASTM A240

Country of Origin:

100% Made in USA

Part Number	Size	Weight/ 100 (lbs.)	Dimension (in.)						
			A	B	C	D	E	F	G
3050	½ in.	4	0.42	0.25	.060	0.94	1.36	0.63	0.25
3075	¾ in.	5	0.53	0.25	.075	1.03	1.56	0.75	0.25
3100	1 in.	8	0.66	0.38	.090	1.25	1.81	0.88	0.37
3125	1-¼ in.	12	0.83	0.33	.105	1.50	2.00	0.88	0.37
3150	1-½ in.	15	0.95	0.47	.105	1.88	2.50	1.02	0.44
3200	2 in.	24	1.19	0.48	.120	2.13	2.75	1.14	0.56
3250	2-½ in.	43	1.44	0.55	.150	2.56	3.31	1.25	0.56
3300	3 in.	47	1.75	0.81	.150	2.88	3.63	1.25	0.56
3350	3-½ in.	66	2.00	1.76	.179	3.25	4.00	1.25	0.56
3400	4 in.	72	2.25	1.83	.179	3.50	4.25	1.25	0.56

