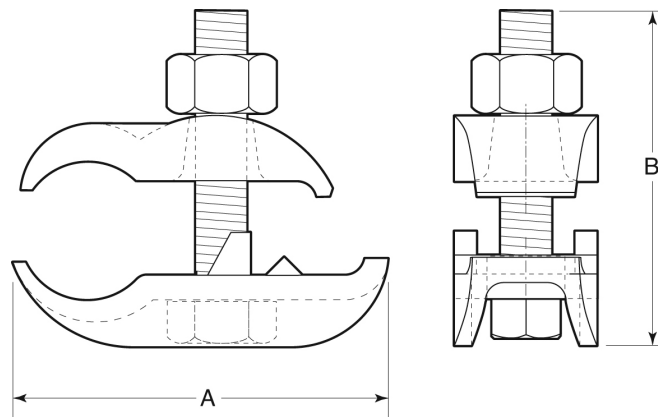
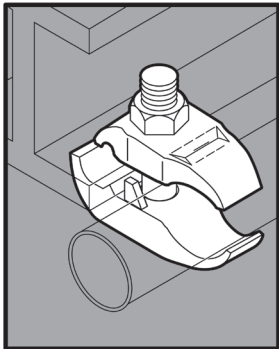


STAINLESS STEEL PARALLEL CLAMPS



APPLICATION

- Designed for use with rigid and PVC-coated conduit
- Used to run pipe or conduit parallel to the flange of I-beams or channel simply and easily without drilling holes
- Manufactured in stainless steel to help prevent corrosion
- Can be installed using ordinary hand tools and require little maintenance or repair
- Provided in a bright, polished finish that does not require touch up or painting



PRODUCT DETAILS

Material:

- Body: CF8M (316 SS)
- Bolt, Hex Nut: 316 SS

Country of Origin: Product may contain imported component.

Body 100% Made in USA; bolt and hex nut may or may not be of U.S. origin.

Part Number	Size	Weight/ 100 (lbs.)	Dimension (in.)	
			A	B
4075	¾ in.	58	2.89	2.56
4100	1 in.	60	3.12	2.56



© 2018 GIBSON STAINLESS & SPECIALTY, INC. - REV 10/2018

PO BOX 847, GREENSBURG, PA 15601
PHONE: 1-800-945-4316 • FAX: 724-838-1544

WEB: GIBSONSTAINLESS.COM