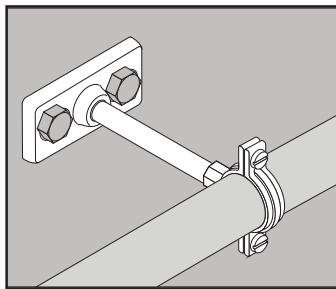
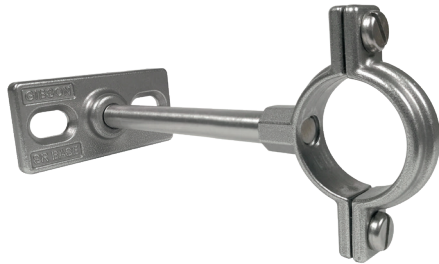
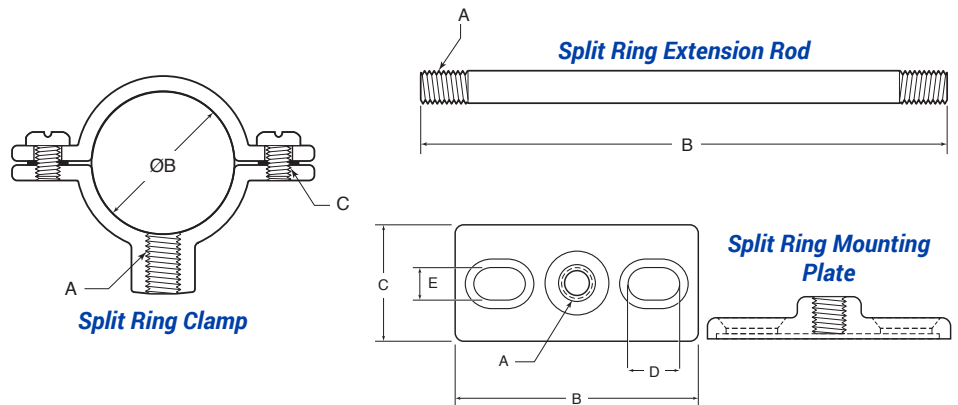


STAINLESS STEEL SPLIT RING CLAMPS



APPLICATION

- Designed to provide space between a raceway and the wall, floor, ceiling or other structure on which it is run
- Often found in wash-down areas where water and chemicals are used
- Used in areas where it is necessary to ensure nothing is trapped between the conduit system and mounting surface
- Can be used for vertical or horizontal conduit runs
- Manufactured in stainless steel to help prevent corrosion
- Can be installed using ordinary hand tools and require little maintenance or repair
- Provided in a bright, polished finish that does not require touch up or painting



PRODUCT DETAILS

Split Ring Clamps

Material:

-Clamp: CF8M (316 SS)

-Washers: Neoprene

-Screws: 316 SS

Standards: ASTM A351, ASTM F593

100% Made in USA

Split Ring Extension Rods

Material: 316 SS

Standards: ASTM A193 B8M Class 1

100% Made in USA

Split Ring Mounting Plate

Material: CF8M (316 SS)

Standards: ASTM A351

100% Made in USA

Split Ring Clamps

Part Number	Size	Weight/ 100 (lbs.)	Dimension (in.)		
			A	B	C
SRC50	½ in.	11	⅜ - 16 UNC	0.88	10 - 32 UNF
SRC75	¾ in.	11	⅜ - 16 UNC	1.10	10 - 32 UNF
SRC100	1 in.	13	⅜ - 16 UNC	1.36	10 - 32 UNF
SRC125	1-¼ in.	16	⅜ - 16 UNC	1.71	10 - 32 UNF
SRC150	1-½ in.	18	⅜ - 16 UNC	1.95	10 - 32 UNF
SRC200	2 in.	21	⅜ - 16 UNC	2.44	10 - 32 UNF

Split Ring Extension Rods

Part Number	Weight/ 100 (lbs.)	Rod Size "A" (in.)	Length "B" (in.)
SRE375x2	6	⅜ - 16 UNC	2
SRE375x4	12	⅜ - 16 UNC	4
SRE375x6	19	⅜ - 16 UNC	6

Split Ring Mounting Plate

Part Number	Rod Size	Weight/ 100 (lbs.)	Dimension (in.)				
			A	B	C	D	E
SRM375	3/8 in.	20	⅜ - 16 UNC	2.88	1.38	0.63	0.38

