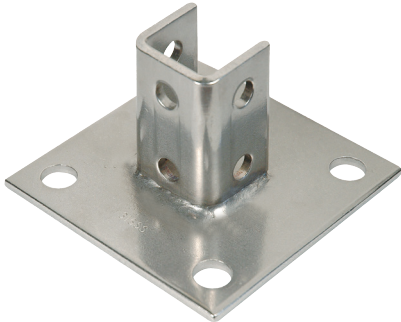
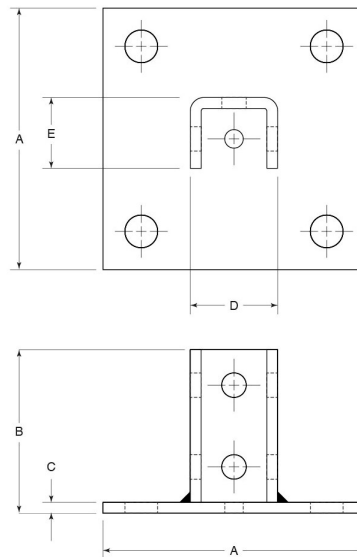
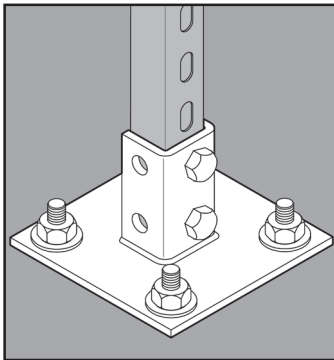


STAINLESS STEEL STANDARD POST BASE



APPLICATION

- Designed to be floor mounted to support upright installations of strut
- Intended for use with 1-5/8" x 1-5/8" strut
- Post Bases offered in five configurations:
Standard, 45° Offset, Wall Mount, Double, Standard Narrow
- Manufactured in stainless steel to help prevent corrosion
- Can be installed using ordinary hand tools and require little maintenance or repair
- Provided in a bright, polished finish that does not require touch up or painting



PRODUCT DETAILS

Material:
316 SS

Standards:
ASTM A240

Country of Origin:
100% Made in USA

Part Number	Weight/ Each (lbs.)	-----Dimension (in.)-----				
		A	B	C	D	E
5990PB1	4	6.00	3.75	0.25	2.21	1.98

