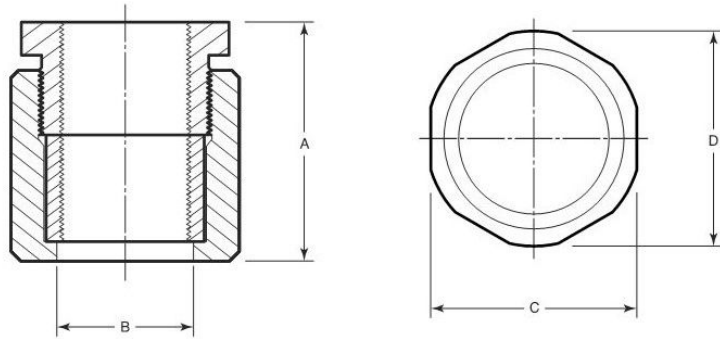
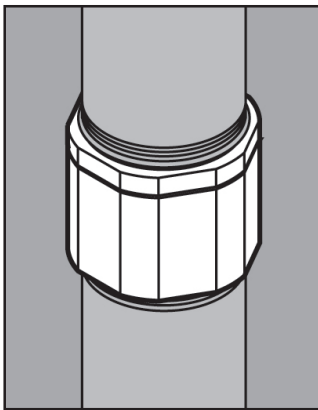


STAINLESS STEEL THREE PIECE COUPLINGS



APPLICATION

- Used to join and connect threaded ends of rigid conduit where conduit cannot be turned
- Manufactured in stainless steel to help prevent corrosion
- Can be installed using ordinary hand tools and require little maintenance or repair
- Provided in a bright, polished finish that does not require touch up or painting



PRODUCT DETAILS

Material:
316 SS

Standards:
ASTM A479

Country of Origin:
100% Made in USA

Part Number	Size	Weight/ 100 (lbs.)	Dimension (in.)			
			A	B	C	D
TPC50	½ in.	41	1.63	0.86	1.31	1.43
TPC75	¾ in.	48	1.66	1.07	1.50	1.62
TPC100	1 in.	32	2.00	1.34	1.88	1.99
TPC125	1-¼ in.	118	2.06	1.68	2.25	2.37
TPC150	1-½ in.	135	2.06	1.92	2.50	2.62
TPC200	2 in.	187	2.25	2.41	3.00	3.12



© 2018 GIBSON STAINLESS & SPECIALTY, INC. - REV 3/2018

PO BOX 847, GREENSBURG, PA 15601
PHONE: 1-800-945-4316 • FAX: 724-838-1544

WEB: GIBSONSTAINLESS.COM