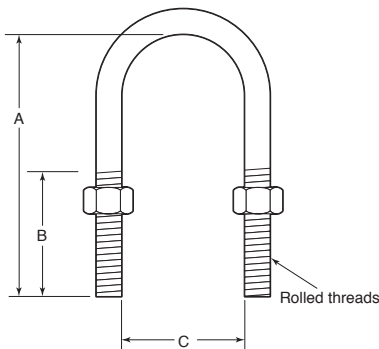
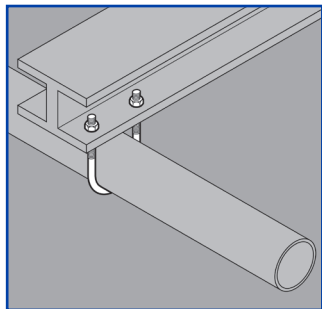


STAINLESS STEEL U-BOLTS



APPLICATION

- Used to run and support conduit or pipe in electrical systems
- Offered in two styles for both rigid conduit and mechanical applications (Figure 137 Style U-Bolts)
- Supplied complete with hex nuts
 - Sizes ½" – 4" supplied with one Type 316 SS hex nut on each leg
 - Sizes 5" – 20" supplied with two Type 316 SS hex nuts on each leg
- Manufactured in stainless steel to help prevent corrosion
- Can be installed using ordinary hand tools and require little maintenance or repair
- Provided in a bright, polished finish that does not require touch up or painting

Part Number	Size	Load Rating (lbs.)	Weight/ 100 (lbs.)	-----Dimension (in.)-----			Size & Pitch
				A	B	C	
0050	½ in.	950	12	2.41	1.50	0.94	5/16 - 18 UNC
0075	¾ in.	950	13	2.73	1.50	1.15	5/16 - 18 UNC
0100	1 in.	950	15	3.04	1.50	1.41	5/16 - 18 UNC
0125	1-¼ in.	950	15	3.16	1.50	1.76	5/16 - 18 UNC
0150	1-½ in.	950	17	3.48	1.50	2.00	5/16 - 18 UNC
0200	2 in.	1250	30	4.30	1.75	2.50	¾ - 16 UNC
0250	2-½ in.	1250	33	4.80	1.75	2.99	¾ - 16 UNC
0300	3 in.	1250	36	5.36	1.75	3.62	¾ - 16 UNC
0350	3-½ in.	1250	40	5.80	1.75	4.11	¾ - 16 UNC
0400	4 in.	1250	44	6.50	1.75	4.61	¾ - 16 UNC
0500	5 in.	2250	102	7.75	3.00	5.63	½ - 13 UNC
0600	6 in.	3550	199	9.50	3.75	6.75	5/8 - 11 UNC
0800	8 in.	3550	236	11.50	3.75	8.75	5/8 - 11 UNC
01000	10 in.	5250	412	13.81	4.00	10.88	¾ - 10 UNC
01200	12 in.	7500	680	16.00	4.25	12.88	7/8 - 9 UNC
01400	14 in.	7500	690	17.32	4.25	14.13	7/8 - 9 UNC
01600	16 in.	7500	760	19.31	4.25	16.13	7/8 - 9 UNC
01800	18 in.	9900	1150	21.69	4.75	18.13	1-8 UNC
02000	20 in.	9900	1250	23.69	4.75	20.13	1-8 UNC

PRODUCT DETAILS

Material:

- U-Bolt: 316 SS
- Hex Nuts: 316 SS

Standards:

ASTM A193 B8M Class I, ASTM F593

Country of Origin: Product may contain imported component.

U-bolt manufactured in USA; hex nuts and raw material for u-bolt may or may not be of U.S. origin.

