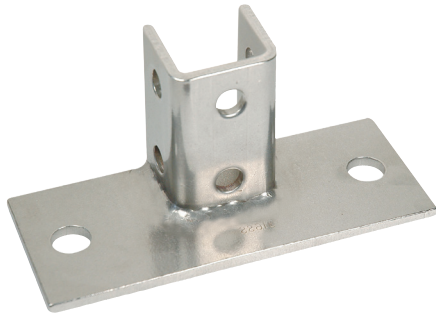
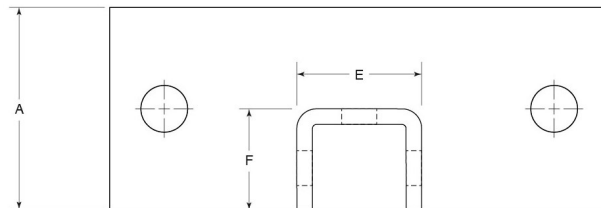
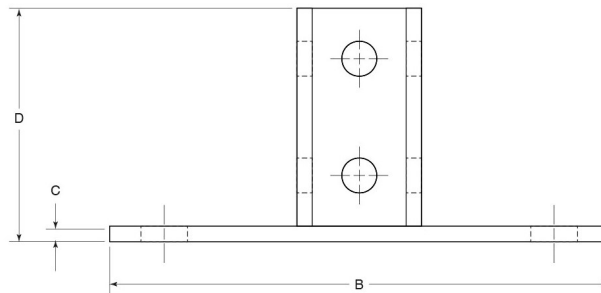
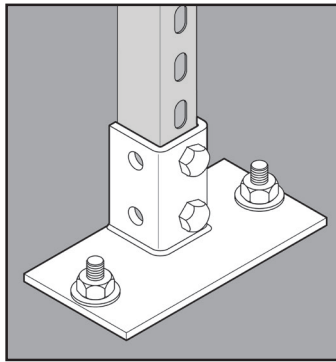


STAINLESS STEEL WALL MOUNT POST BASE



APPLICATION

- Designed to be floor mounted to support upright installations of strut
- Intended for use with 1-5/8" x 1-5/8" strut
- Post Bases offered in five configurations:
Standard, 45° Offset, Wall Mount, Double, Standard Narrow
- Manufactured in stainless steel to help prevent corrosion
- Can be installed using ordinary hand tools and require little maintenance or repair
- Provided in a bright, polished finish that does not require touch up or painting



PRODUCT DETAILS

Material:
316 SS

Standards:
ASTM A240

Country of Origin:
100% Made in USA

Part Number	Weight/ Each (lbs.)	-----Dimension (in.)-----					
		A	B	C	D	E	F
5990PB3	3	3.25	8.00	0.25	3.75	2.21	1.98



© 2018 GIBSON STAINLESS & SPECIALTY, INC. - REV 3/2013

PO BOX 847, GREENSBURG, PA 15601
PHONE: 1-800-945-4316 • FAX: 724-838-1544

WEB: GIBSONSTAINLESS.COM