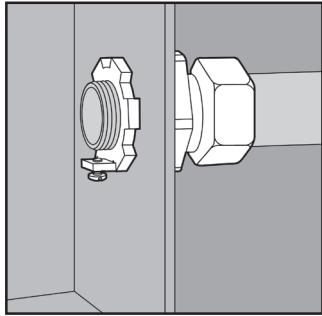
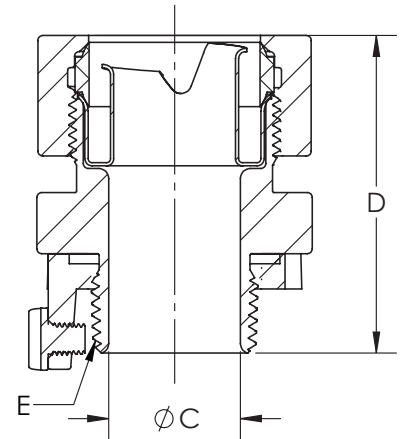
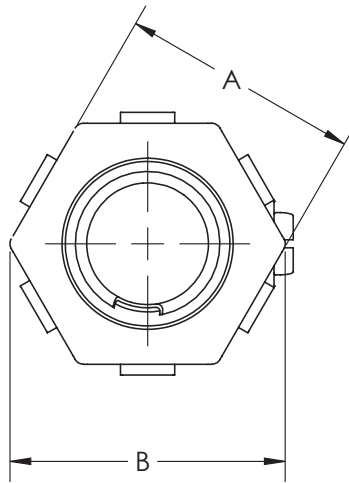


GROUNDING STRAIGHT LIQUIDTIGHT CONNECTORS



APPLICATION

- Designed for use with liquidtight conduit
- Provide a means of connecting to boxes in wet or dry locations
- A grounding lug and screw provide a secure connection for ground wiring
- Offered in three configurations: Straight, 45°, 90°
- Supplied complete with a Type 316 SS gland nut, polyethylene sealing ring, Type 316 SS ferrule, sealing gasket, and Type 316 SS grounding locknut
- Type 316 SS inside ferrule provides extra corrosion resistance on inside of fitting (Inside ferrules manufactured from materials such as carbon steel may be susceptible to corrosion, which can compromise the long-term performance of the entire fitting.)
- Manufactured in stainless steel to help prevent corrosion
- Can be installed using ordinary hand tools and require little maintenance or repair
- Provided in a bright, polished finish that does not require touch up or painting



PRODUCT DETAILS

Material:

- Body: CF8M (316 SS)
- Locknut: CF8M (316 SS)
- Grounding Screw: 316 SS
- Sealing Gasket: Neoprene
- Inside Ferrule: 316 SS
- Sealing Ring: Polypropylene
- Nut: CF8M (316 SS)

Country of Origin:

100% Made in USA

Part Number	Conduit Size	Weight/100 (lbs.)	Dimension (in.)				
			A	B	C	D	E
LT50-G	½ in.	27	1.37	1.57	0.60	1.84	½-14 NPT
LT75-G	¾ in.	38	1.50	1.70	0.80	2.04	¾-14 NPT
LT100-G	1 in.	55	1.82	2.06	0.98	2.21	1-11-½ NPT

